

24

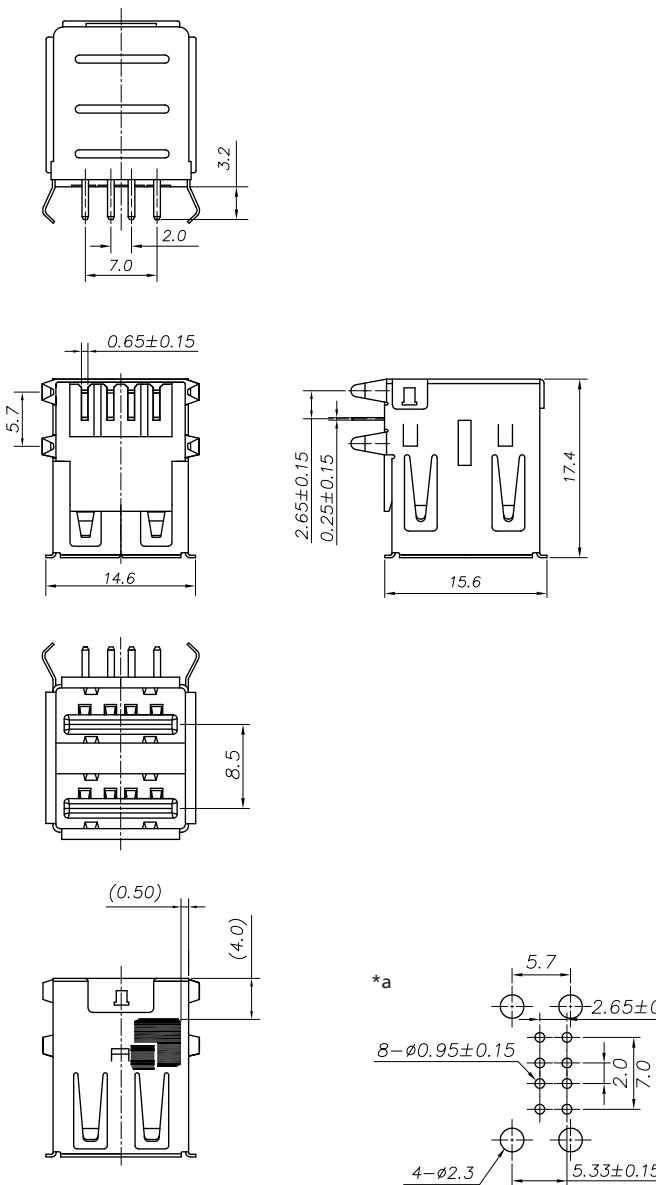
2410 05

USB and IEEE 1394 connectors



Double USB 2.0 chassis socket type A, angular version, for printed circuit boards

24 2410 05



Environmental conditions

Temperature range -40 °C/+85 °C

Materials

Insulating body PBT GF, V-0 according to UL94
 Contact spring CuSn, gold-plated, tin-plated in solder area
 Housing Cu alloy/steel, tin-plated

Mechanical data

Mating cycles 1500
 Insertion force ≤ 35 N
 Withdrawal force 10–35 N

Electrical data (at T_{amb} 20 °C)

Contact resistance ≤ 30 mΩ
 Rated current 1 A
 Rated voltage 30 V AC
 Rated impulse voltage 500 V/60 s
 Insulation resistance ≥ 1 GΩ

Associated products

Counterparts
 ☞ 2410 07 ☞ 2410 08 ☞ 2431
 ☞ 2480 ☞ 2482

Accessories
 ☞ 2412 01

*a printed circuit board layout, components side view

24

2410 05

Designation	Pole Number	PU (Pieces)	MDQ (Pieces)
2410 05	2 x 4	100	600

Packaging:
in a tray