

Auto Switched Contactor based Power Factor Correction System. (LVAS-C)



Specifications

- Voltage : 415V/440V/550V/660V
- Frequency : 50 Hz
- Intelligent Power Factor Controller : 1 CT/3 CT sensing with parameter display
- Switching device : Capacitor Duty Contactor (AC 6b duty)
- Metal Cabinet (indoor/outdoor) powder coated
- Incomer : MCCB/ACB/SFU
- Equipped with ventilation system (Natural/Forced)
- IP protection : IP-40/55
- Cable entry : Top or Bottom

Capacitor

- All polypropylene film (APP) + foil design. (As per IS 13585)
- MPP (Metallised polypropylene film) design. (As per IS 13340)
- Reactor : 0.2%, 7%, 14% inrush current limiting & detuned reactors suitable for application. (As per IS 5553)

Features

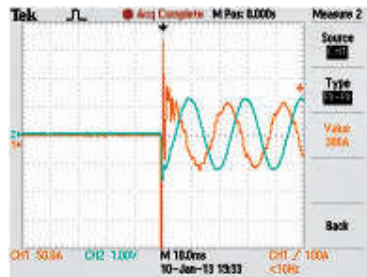
- Data downloading facility is available for 3 CT Power Factor Controller.
- **Current Free wheeling low wattage resistors across Series Reactor to reduce insulation stresses on components.**
- Available in compartmentalized & non-compartmentalized.

Applicable Standards

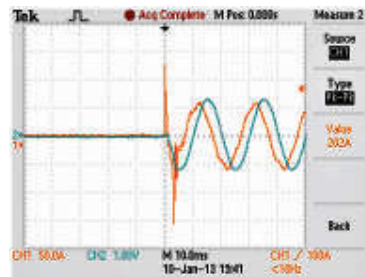
- IEC-61439-Part1 & Part2 (Control gear & Switch gear assembly)
- IEC-61921 (For capacitor bank)
- IS-8623 (Control gear & Switch gear assembly)

Applications:

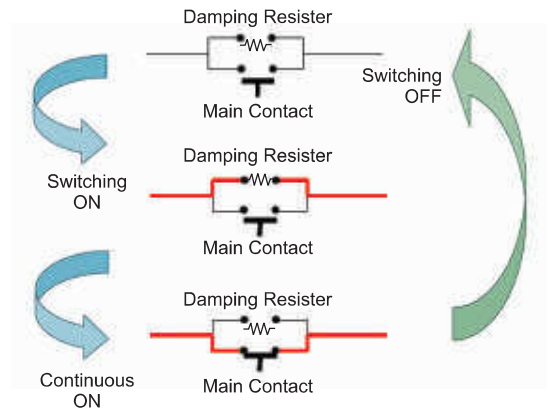
- Automatic PF correction for variable industrial load like AC/DC drives, furnace, cement industry, paper mills, steel industry, distribution transformer carrying commercial loads, oil & gas industry, water industry, Sugar industry.



Capacitor Current
Inrush Current during capacitor switching using AC3 duty power contactor



Capacitor Current
Inrush Current during capacitor switching using AC6b capacitor duty contactor



Series	Step Configuration	Size (With APP Capacitors)			Size (With MPP Capacitors)			
		Width	Depth	Height	Width	Depth	Height	
LVAS-C	25K x 6	150	1300	850	2300	1300	850	2000
LVAS-C	50K x 2 + 25K x 4	200	1300	850	2300	1300	850	2000
LVAS-C	50K x 4 + 25K x 4	300	1500	850	2300	1500	850	2000
LVAS-C	50K x 8	400	1700	850	2300	1700	850	2000
LVAS-C	100K x 2 + 50K x 6	500	1950	850	2300	1950	850	2000
LVAS-C	100K x 4 + 50K x 4	600	2100	850	2300	2300	850	2000
LVAS-C	100K x 6 + 50K x 2	700	2300	850	2300	2300	850	2000
LVAS-C	100K x 8	800	2300	850	2300	2300	850	2000

Note: Panel size & dimensions with kVAr ratings can be designed as per customer requirements.