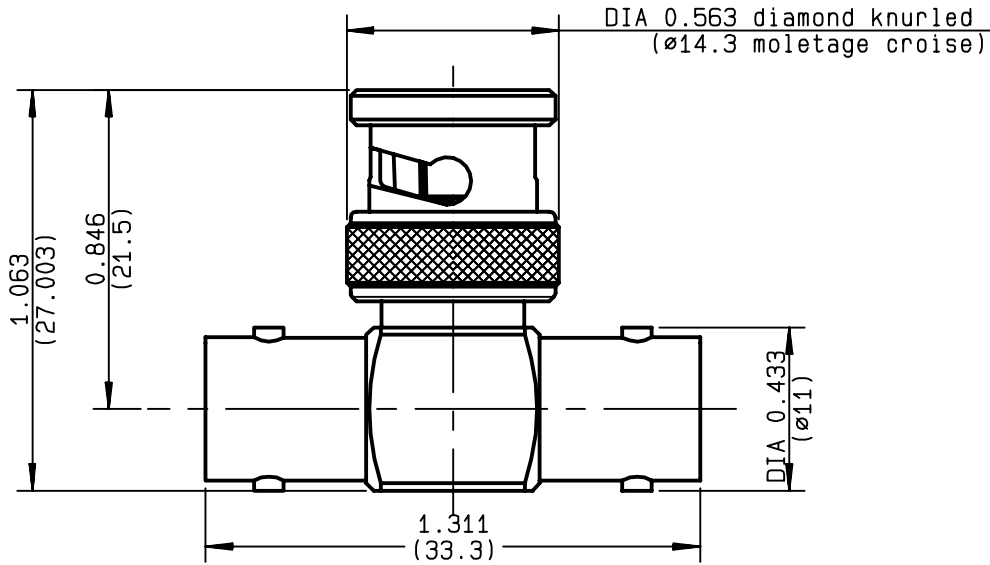


TE FEMALE-FEMALE/MALE ADAPTOR

R141.780.000
SERIES BNC



NOMINAL IMPEDANCE	50 Ω	CABLES :		
FREQUENCY RANGE	0-4 GHz			
TEMPERATURE RATING	-65/+165 °C			
V.S.W.R	NA + x F(GHz)Maxi			
RF INSERTION LOSS	0.175 √F(GHz) dB Maxi			
VOLTAGE RATING	500 Veff Maxi			
DIELECTRIC WITHSTANDING VOLTAGE	1500 Veff Mini			
INSULATION RESISTANCE	5000 MΩMini		OTHERS CHARACTERISTICS	
HERMETIC SEAL	NA Atm.cm ³ /s		CABLE RETENTION	NA N Mini
LEAKAGE (pressurized only)	NA		CENTER CONTACT RETENTION	
MECHANICAL DURABILITY	500 Cycles	Axial force - mating end	18 N Mini	
WEIGHT	20 gr	Axial force - opposite end	18 N Mini	
SPECIFICATION		Torque	2.8 cm.N Mini	
		RECOMMENDED TORQUES		
		Mating	NA cm.N	
		Panel nut	NA cm.N	
		Clamp nut	NA cm.N	

CONNECTOR PARTS	MATERIALS	FINISH	(all values are given in micrometers)
BODY	BRASS	NICKEL 2	
OUTER CONTACT			
CENTER CONTACT	BERYLLIUM COPPER, BRASS	GOLD 0.5 OVER NICKEL 2	
INSULATOR	PTFE	-	
GASKET	SILICONE RUBBER	-	
OTHERS PIECES	BRASS	NICKEL 2	

TRIQUES

ISSUE	CREATION DATE	FILE PART-NUMBER
9910H00		



RADIALL®

The information given here is subject to change without notice.
 Design changes may be in order to improve the product .

Connect to the future