

We  
**THRIVE** for  
INNOVATION+  
TECHNOLOGY



**100%**  
Commitment to  
Quality Production &  
Technical Advancements



**Flowstar**<sup>®</sup>  
Engineering Pvt. Ltd.

**World Class Manufacturers of**  
**PROCESS CONTROL INSTRUMENTS**  
Flow, Level, Temperature & Pressure



Acrylic Body Rotameter

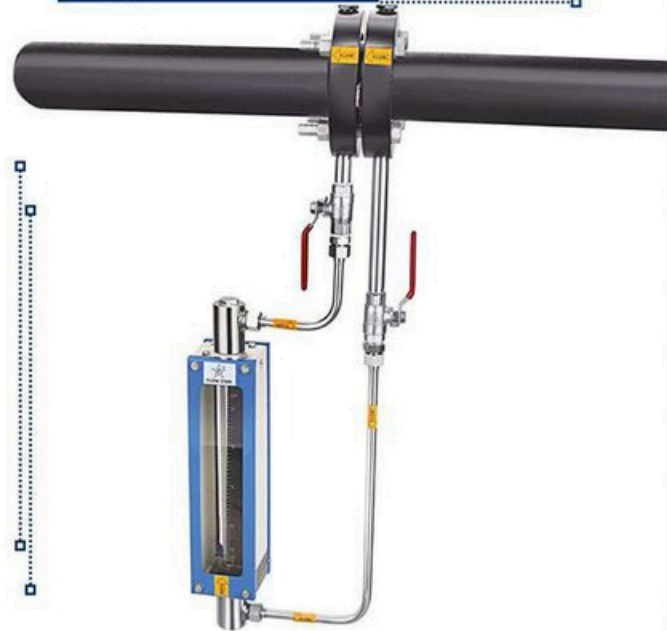


Acrylic Body Rotameter

Specially Designed for RO WATER INDUSTRY



Bypass Rotameter



Glass Tube Rotameter



Metal Tube Rotameter



**02** ORIFICE PLATE & FLANGE ASSEMBLIES



**03** FLOWMETERS

Electromagnetic Flowmeter



Turbine Flowmeter



Gas Turbine Flowmeter



DP Flowmeter



Insertion Electromagnetic Flowmeter



Thermal Gas Mass Flowmeter



Vortex Flowmeter



Paddle Wheel Turbine Flowmeter



Ultrasonic Flowmeter



Open Channel Ultrasonic Flowmeter



Coriolis Mass Flowmeter



Woltman Water Meter



Multijet Water Meter



Micro thermal Mass Flowmeter



Flow Switches





Double Window

Full View



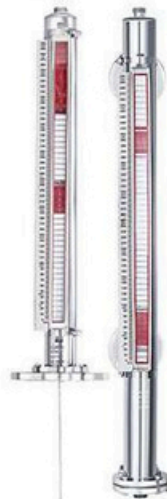
Strainer



Tubular Level Indicator



Magnetic Level Indicator



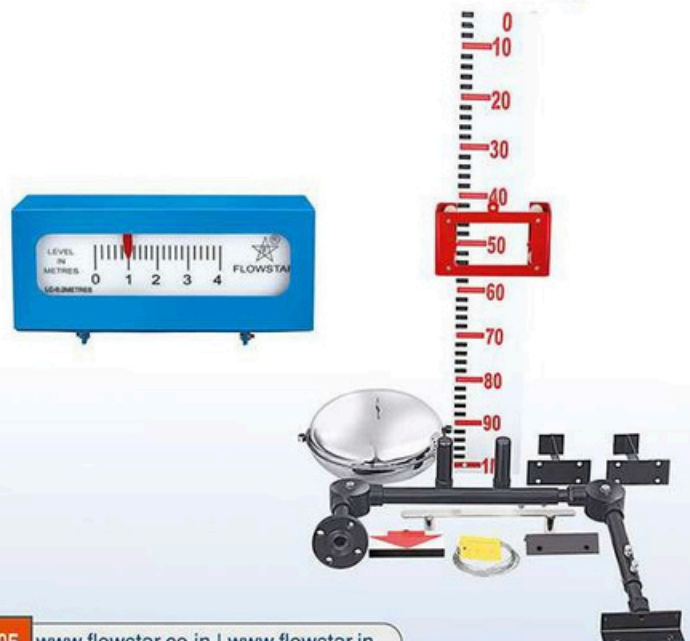
Weldpad Type Level Indicator



Reflex & Transparent Level Indicator



Float & Board Level Indicator



RF Level Switch



Vibrating Fork Level Switch



Cable Float Level Switch



Rotating Paddle Type Level Switch



Conductivity Level Switch



Displacer Type Level Switch



Capacitive Level Switch



Top Mounted Magnetic Level Switch



Side Mounted Magnetic Level Switch



Top/Side Miniature Magnetic Level Switch



**Manometer**



**Pressure Transmitter**



**Pressure/ Level Controller**



**Pressure Gauge**



**Pressure Switch**



**Differential Pressure Transmitter**



**RTD**



**Thermowell**



**Thermocouple**



**Temperature Transmitter**



**Temperature Controller & Indicator**



**Temperature Gauge**

