

SB
FORMWORK
SYSTEMS (I)
PVT. LTD.

Head Office

1 & 2, 1st Floor, Ambe Prema CHS, Plot No.8,
Sector - 3, Opp. Railway Station, Ghansoli,
Navi Mumbai, Maharashtra, 400 701
Tel : +91 95940 65050
Email : aluformsales@saarvigroup.com

Factory

Gat No. 19/1/B/2, Mauje Vadgaon, Tal.
Khalapur, (Rasayani) Dist. Raigad,
Maharashtra, 410222
Tel : +91 99309 45905
Email : aluformsales@saarvigroup.com

Pune Office

Office No.204, Building B, 2nd floor, Olympia
Phase 1, Pune Bangalore Highway, Near
Bitwise Baner, Pune, Maharashtra, 411045
Tel : +91 73979 06935
Email : amar.r@saarvigroup.com

NOTE :- PRODUCT AND DESIGN SPECIFICATIONS ARE SUBJECT TO CHANGE WITHOUT PRIOR NOTICE DUE TO CONTINUOUS IMPROVEMENT IN THE PROCESS.



SB
ALUFORM





Founder's Message

"If you work only for money, you'll never make it, but if you love what you're doing, success will be yours."

In 2005, I founded SB Scaffolding with a vision to provide safe access to workers operating at heights. I feel, nothing is more important in this world than a human life. I started SB Scaffolding with a belief that safe working temporary platforms would enhance the safety at heights.

At SB, we relentlessly work towards our passion of delivering safe working temporary platforms. As a firm, the hard work, dedication, and determination of our team drives our organization. And as a team, we are confidently outperforming in our endeavor to perpetually deliver value and satisfaction to our clients.

We work with a basic fundamental that, if you are confident in your tenets, then achievement is as simple as plugging hard work into your model and capitalizing on the resulting benefits.

At SB, our priority now and always has been the safety of our employees and stakeholders. Looking in retrospect, I feel a deep sense of gratitude at what my vision has materialized to.

– Santosh Chaskar

Purpose

"SAFE SOLUTIONS - ENHANCING PRODUCTIVITY"

Core Values



Safety



Empathy



Social Responsibility



On - Time



WHY SB ALUFORM

To cope up with the problem of increased demand for housing, and the gigantic task of providing affordable shelter to masses, adoption of a cost – effective technology and assumes greater significance. Formwork is one such innovative and modern construction technique. Architects & developers are constantly looking for new technologies and cost control measures and Aluminum formwork technology is certainly a valued resource in terms of quality and pricing aspects. Hence, the formation of SB Formwork Systems (I) Pvt. Ltd. under the leadership of Mr. Santosh Chaskar.

SOLUTIONS WE OFFER:

1. Design & Planning

We do formwork design and planning using the state-of-the-art CAD tools with detailed material schedules and timely project deadlines

2. Scalability

Whatever be the scale of work, we hold the capacity to deliver formwork elements of varying capacities, diverse range and finest quality standards within a stipulated time.

3. Cost Efficiency

We provide competitive solutions that increase the construction as well as cost efficiency of projects and result in economic implementation.

4. Service excellence

We strive to deliver excellence in all that we do, using our best trained staff, equipment and working practices we deliver service excellence.

INTRODUCTION

Aluminum formwork has gradually replaced the conventional Steel and Plywood Formwork.

This is basically due to its lesser weight (1/3 of Steel) hence easy to handle (less labour required). Other advantage is reduced cycle times due to ease of setting-up and dismantling.

Construction cycle times of 4 days are very common, though it is ultimately determined by structural and architectural requirements.

Another factor is the huge difference in resale value in addition to a possibility of refurbishment of used formwork.

Hence aluminum formwork is the preferred choice of reputed construction organizations specially for mass housing, high-rises, as the benefits are manifold due to increased number of repetitive cycles.

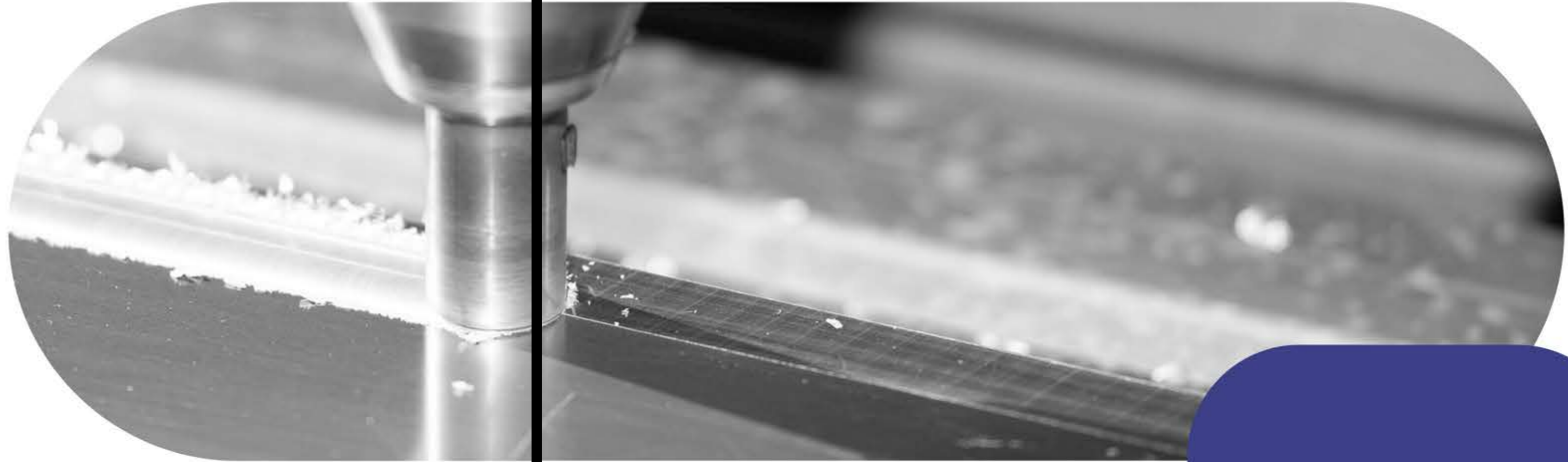
Aluminum formwork gives minimum 100 repetitions if used properly, as per the guidelines of manufacturer, there-by reducing site abusing.

Terminology and Material of Construction

Raw material used for formwork is aluminum alloy AA 6061 T6 extrusion, which is tempered to attain good hardness and adequate tensile strength to sustain the lateral compressive loads exerted by concrete. Sometimes, sheet has to be used instead of extrusion, when the form is customized. Sheet is of aluminum alloy AA 5052 H32, which have good weldability with AA 6061 T6 extrusions when proper filler material is used. MIG welding process with 99% pure argon as shielding is used for welding Al. Alloy sheet and extrusions. Panels are also made by welding two `L` type extrusions with friction stir welding (FSW), which is a very fast and cost-efficient process.

Mainly following types of forms are being produced by SB Formworks: Wall/Vertical Forms and Deck/Slab Forms and the combination of these two called Monolithic formwork which is used to cast wall, slab, beam, Chajja, staircase, balcony and all component of a construction project in a single casting for residential and commercial projects.

As the name indicates, wall panels form the outer and inner walls. On top of these panels, some

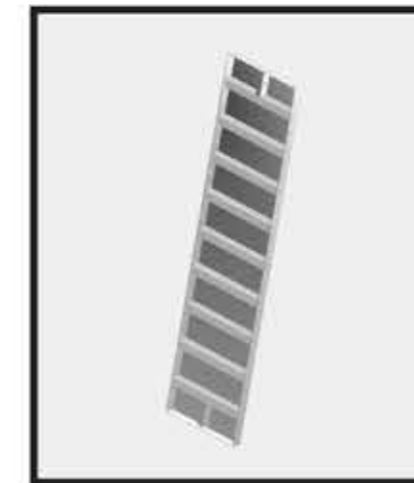


panels have to be added to suit the floor to ceiling height (varies from project to project). These are called Top or filler panels. Soffit Panels (SL) connects the Wall Panels (inner wall) and the Deck panels. Inside corners (IC) are the connection between two wall panels (for walls at right angles) to get perfectly perpendicular walls. Outside corners help in fixing of beam bottoms. Rocker is used at the bottom of wall forms to avoid the level alignment issues due to unevenness of the ground at site. Kicker forms are placed at the top of filler or top panels for use as datum in upper floors. The arrangements of panels are shown in separate set-up drawings based on the type of panel.

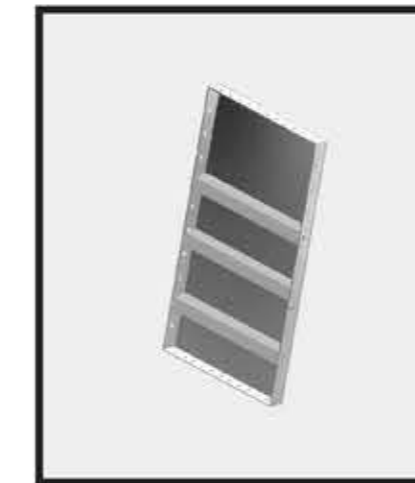


Standard Accessories

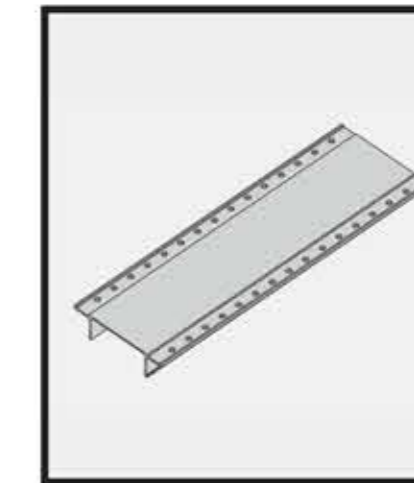
The formwork system itself will work satisfactorily only if it is supported by accessories. The most common accessories are waler clamps, pin/wedge combination, wall ties, tie rods and anchor/wing nut combination, hammers, hole bars, form stripping/aligning tool, wall tie puller, scaffolding brackets, BKS Patti, props, adjustable bases and suitable pipe extensions, push/pull arrangement. Other accessories that are optional is window/door braces, slab cut-outs and MEP cut-outs and sleeves.



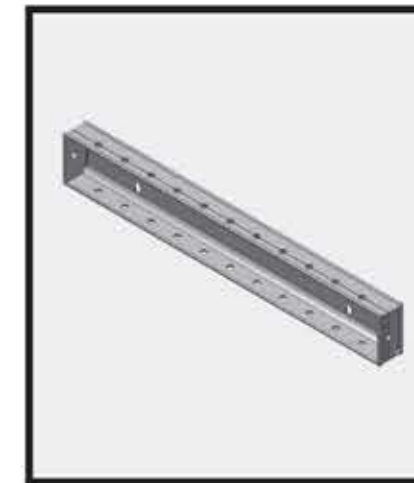
WALL PANEL



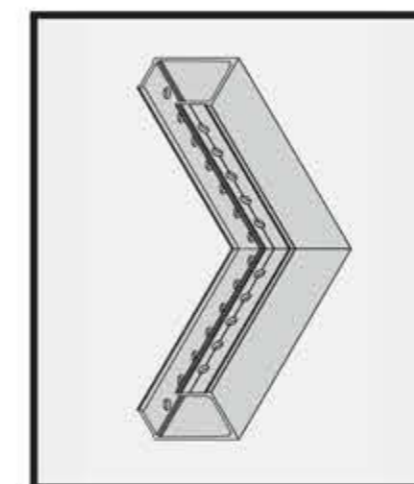
SLAB PANEL



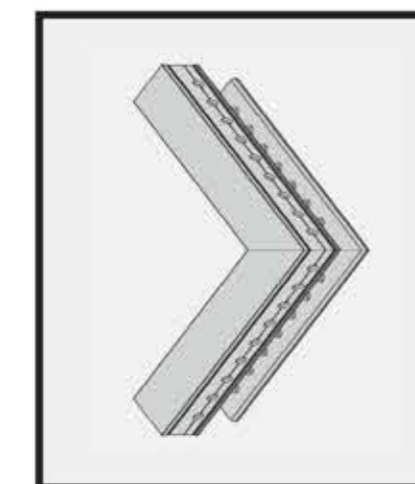
BEAM BOTTOM SLAB PANEL



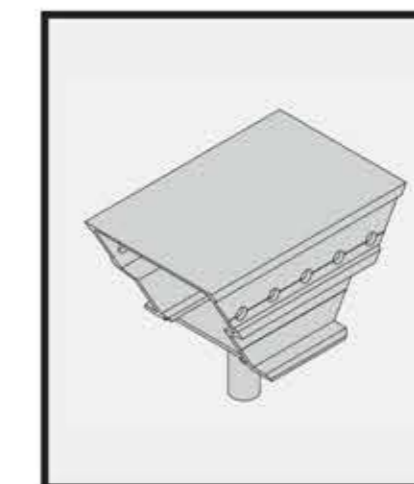
KICKER 125



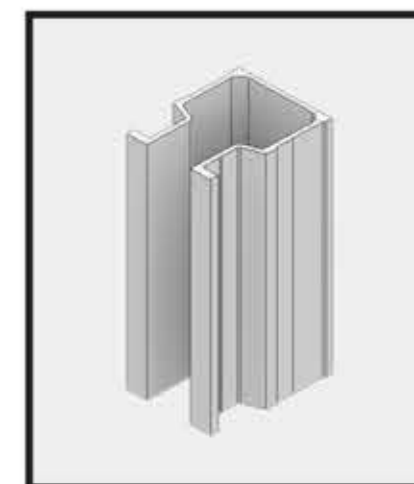
SLAB INNER CORNER



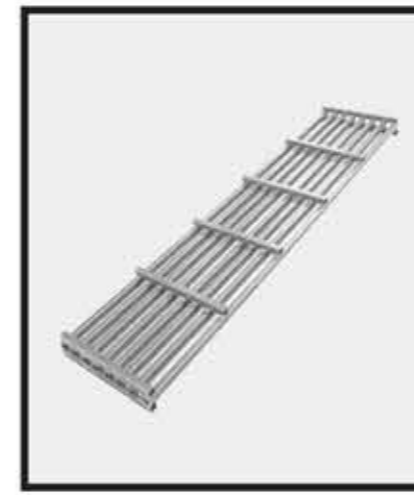
SLAB OUTER CORNER



PROP HEAD [PH]



END / MID BEAM SECTION



WALKWAY PLATFORM



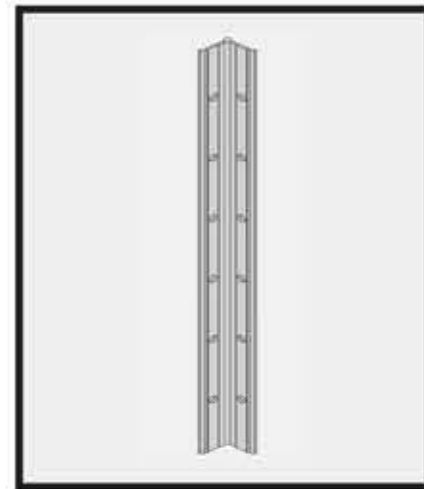
WATER BARRIER



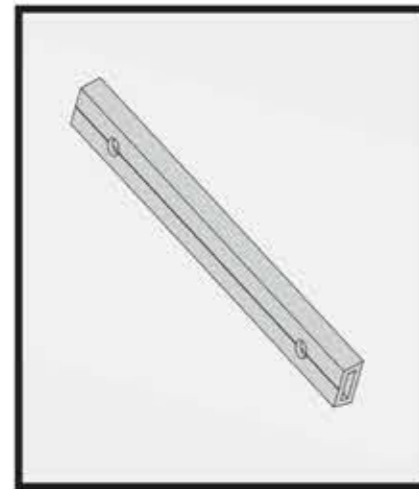
PVC PIPE & CONE



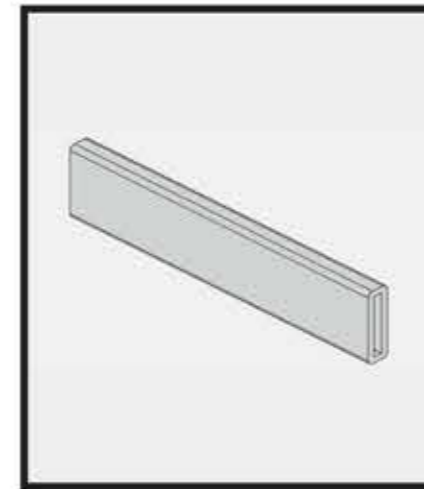
HEX NUT



OUTER CORNER



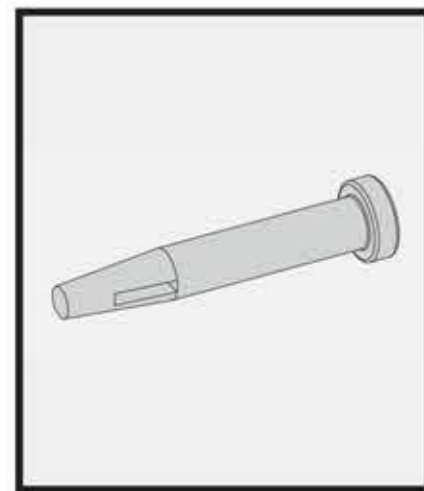
JOINT BAR



PVC SLEEVE



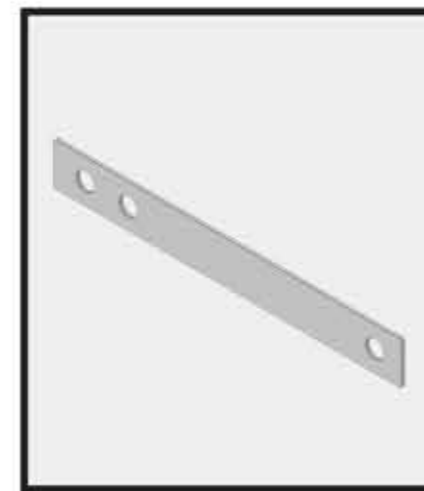
WEDGE & PIN



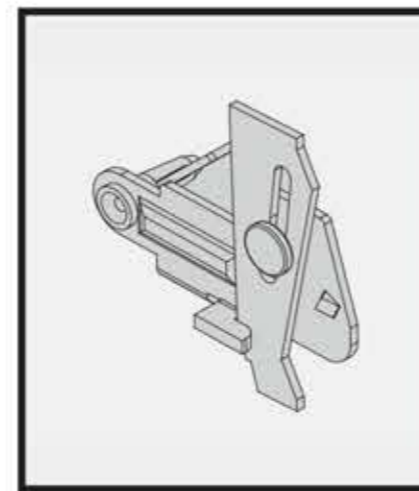
LONG PIN



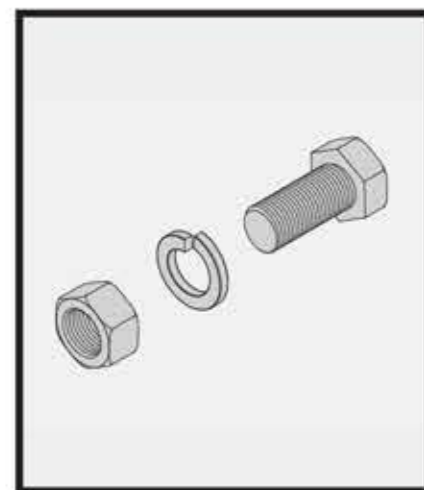
SACRIFICIAL TIE



REUSEABLE FLAT TIE



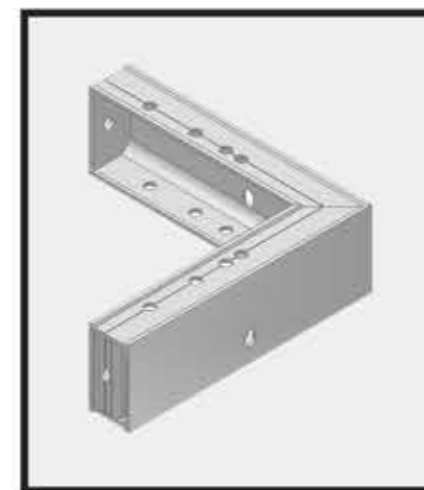
WALER BRACKET



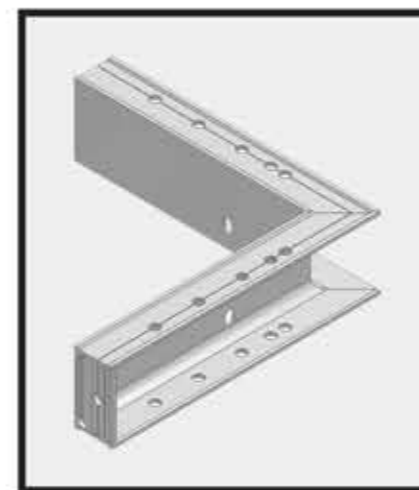
BOLT, NUT & WASHER



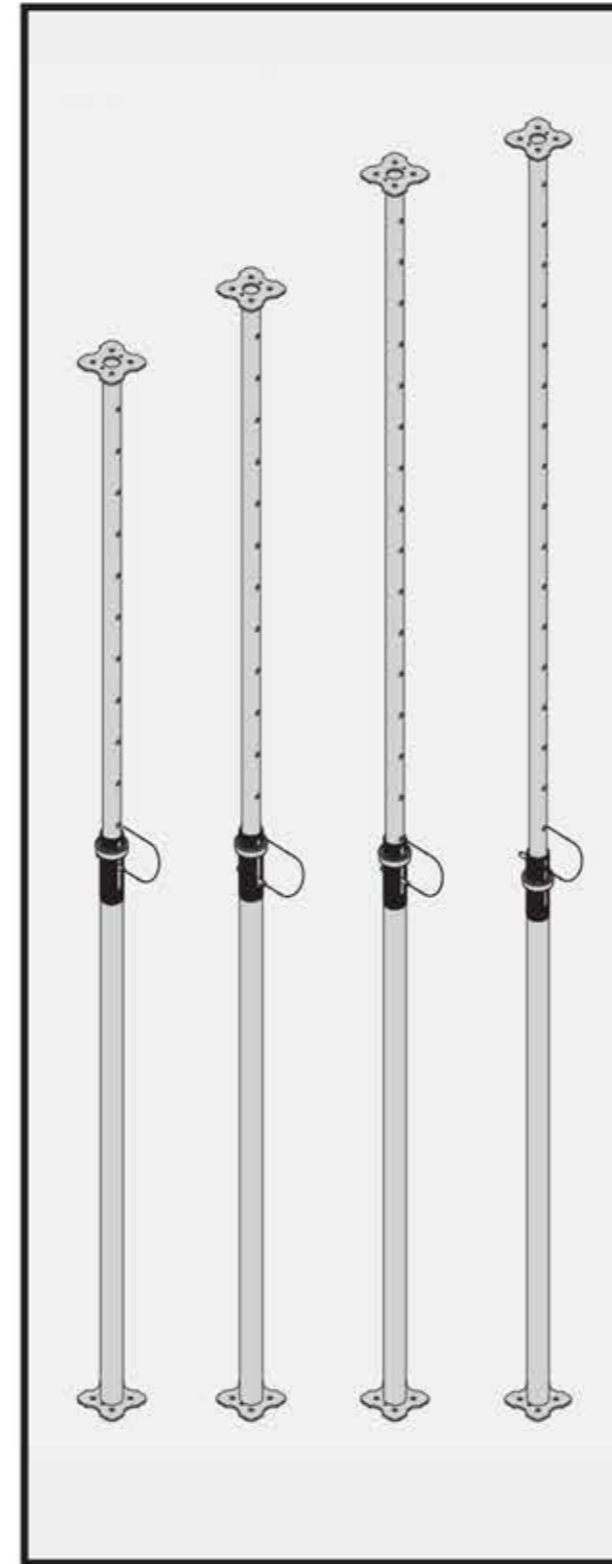
TIE ROD WITH ANCHOR NUT



KICKER CORNER INTERNAL



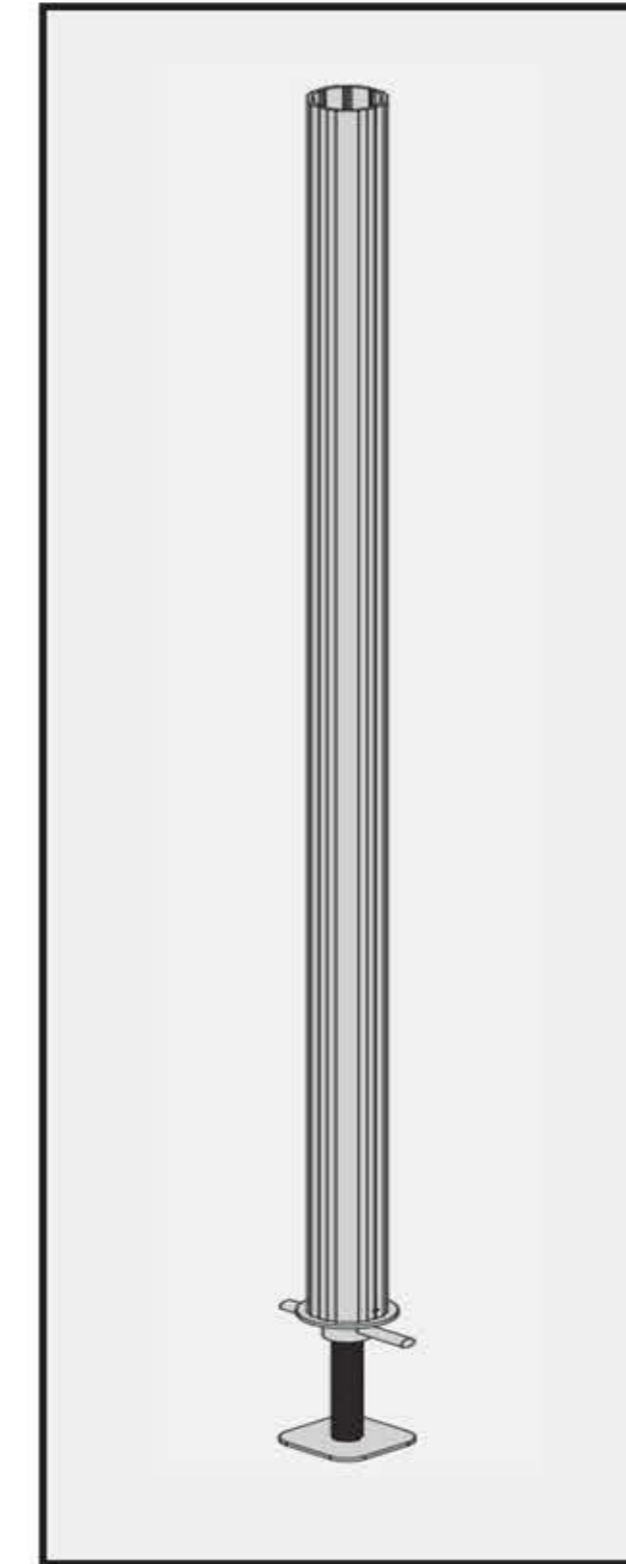
KICKER CORNER EXTERNAL



ADJUSTABLE STEEL PROP

These steel props are long lasting, have high tensile strength and are highly resistant to site wear and tears.

Our client can avail from us a wide range of adjustable steel props of premium quality that eliminates the cost of labour and time consumed in general building construction and repair work. SB Formwork can customize your Formwork Props according to variable height, inner and outer tube dimension, top & bottom plate size, and shape.

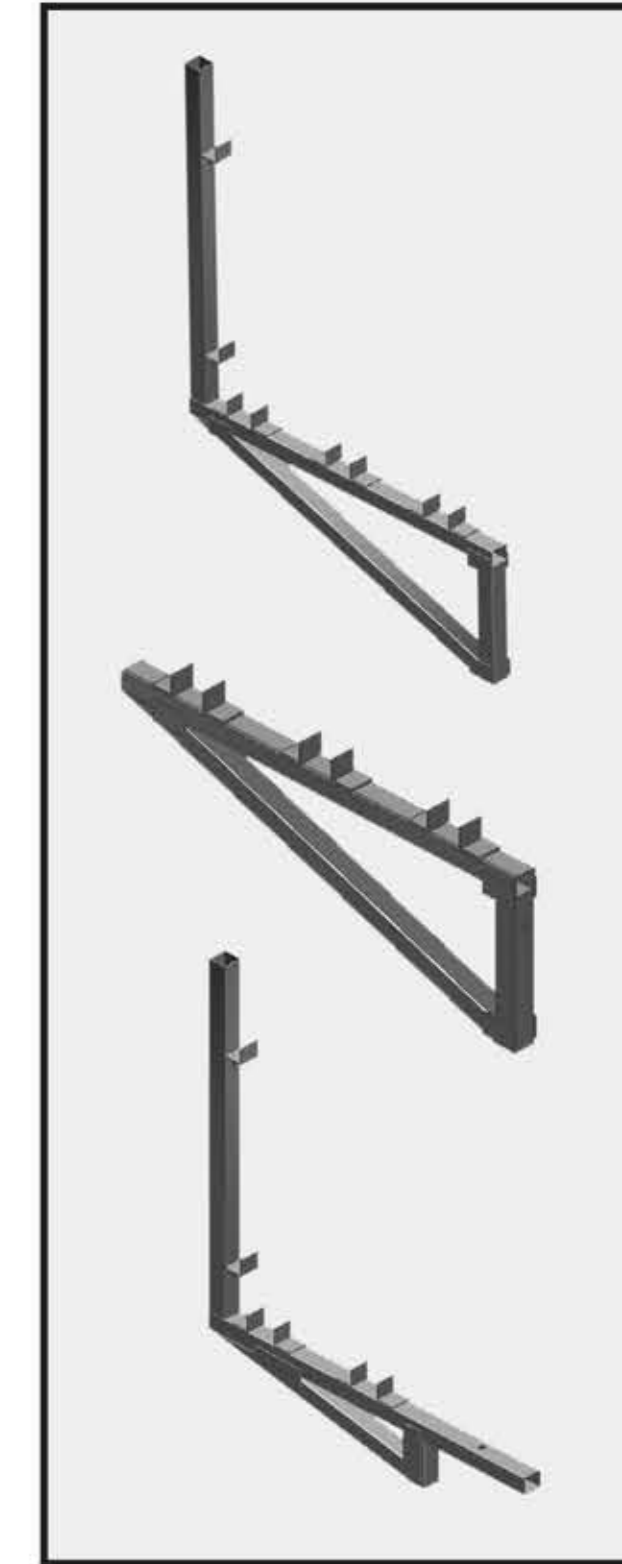


ADJUSTABLE ALUMINUM PROP

As compared to steel props of the same extensions, though lighter, they are particularly recommended because they are quick to assemble and easy to use.

They are compatible with most accessories of other formwork and slab, and of course with Alu props.

They are classified according to maximum extension and capacity.



WALL / CHAJJA / LIFT BRACKET

Working Platform required for assembly and shifting of external panels to the next level.

They are basically four types of working platform named:

- Wall Bracket
- Chajja Bracket
- Lift Bracket
- Slab Bracket

COMPARISON BETWEEN DIFFERENT CONSTRUCTION METHODS

System Attributes	Formwork Type			
	Traditional Formwork	Hand Held Formwork	Tunnel Formwork	SB Aluform Systems
Crane not required		✓		✓
Allows to pour wall, slab, beam, column and staircase in single concrete pour			✓	✓
Can form concrete columns and beams together	✓	✓		✓
Skilled labor not required		✓		✓
Suitable for single or two storey mass housing and high rise buildings			✓	✓
Formwork equipment adapts to different designs				✓
Able to form all concrete elements	✓			✓
Respects all architectural and structural requirements of the client, without modifications.	✓	✓		✓
Environmentally friendly - no residual and burning waste				✓

Specification	Aluminum AA6061-T6		
	List	Aluminum Alloy AA6061-T6	Unit
Mechanical properties of Material	Density	2.7	gm / cc ³
	Allowable bending stress	1,250	kg/cm ²
	Young's modulus	69000	kg/cm ²
Standard Panel Sizes	Wall panel	600 x 2400 mm (height) x 65 thk	
	Slab panel	600 x 1200 mm x 65 thk	

ADVANTAGES

SB Aluminum Formwork is highly efficient and cost effective than any of other methods. It is light weight, easy to move, flexible, adaptable, faster & environmentally friendly system.

A. Quality of finished concrete

With a smooth surface and correct dimension of panels, there is no requirement of plastering or remedial work after concrete casting.

B. Speed of construction

Due to its easiness of assembly and deshuttering, SB Formwork allows an average of 7 days cycle compared to 15-20 days cycle in comparison to conventional method.

C. Safety Due to back up Props

No need to remove props and prop heads when dismantling slab panels, it is supplied in 2 sets.

D. Freedom of design & jobsite planning

SB's Formwork is a "modular" formwork; there is no constrain to any architectural or structural design, It is easily adaptable to required design.

E. All-in-one system

With SB Formwork, Scaffolding and External Working Platforms are also supplied.

F. Mobility of system component

Due to panel's light weight, it can be transferred manually to the next level; thus, the crane can be used for other tasks.

G. Easy assembly of system

No need for skilled workers or carpenters.

H. Durability

Manufactured through a state of art technology with an aluminum alloy extrusion, our formwork can be repeated minium 100 times.

