

**PLEASE CHECK WWW.MOLEX.COM FOR LATEST PART INFORMATION**

**Part Number:** [0734152121](#)  
**Status:** **Active**  
**Overview:** [MMCX RF Connectors](#)  
**Description:** 50 Ohms, MMCX Vertical Plug, PCB, Plating Per Commercial Requirements, Bulk

**Documents:**

[3D Model](#) [RoHS Certificate of Compliance \(PDF\)](#)  
[Drawing \(PDF\)](#)

**General**

Product Family	RF/Coax Connectors
Series	73415
Overview	<a href="#">MMCX RF Connectors</a>
Product Name	MMCX
Style	PCB
Type	Microminiature
UPC	822350561457
Wire/Cable Type	N/A

**Physical**

Gender	Plug
Keying to Mating Part	None
Net Weight	0.254/g
Orientation	Straight
PCB Mounting	Through Hole
PCB Thickness - Recommended	2.40mm
Packaging Type	Bag
Panel Mount	No
Panel Mount Method	N/A
Reverse Polar	No

**Electrical**

Frequency	6 GHz
Impedance	50Ω
Power / Voltage	VOLT: 0170 Vrms@Sea Level

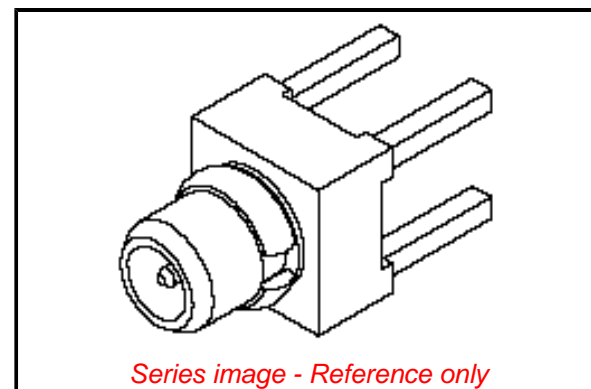
**Solder Process Data**

Duration at Max. Process Temperature (seconds)	005
Lead-freeProcess Capability	SMC&WAVE
Max. Cycles at Max. Process Temperature	002
Process Temperature max. C	260

**Material Info**

**Reference - Drawing Numbers**

Sales Drawing	SD-73415-212
---------------	--------------



**EU ELV**

**Not Relevant**

**EU RoHS**

**Compliant with Exemption 6(c)**

**REACH SVHC**

Contained Per - ED/71/2019 (16 July 2019)

Lead

**Halogen-Free**

**Status**

**Low-Halogen**

For more information, please visit [Contact US](#)

China ROHS

50 Image

ELV

Not Relevant

RoHS Phthalates

Not Contained

**Search Parts in this Series**

[73415 Series](#)