
STM32 LoRa[®] software expansion for STM32Cube[™]

Introduction

This user manual describes the LoRa[®] Expansion Package implementation on the STM32Lx Series; this software is called I-CUBE-LRWAN. This document also explains how to interface with the LoRaWAN[™] to manage the LoRa[®] wireless link.

LoRa[®] is a type of wireless telecommunication network designed to allow long range communications at a very low bit-rate and enabling long-life battery operated sensors. LoRaWAN[™] defines the communication and security protocol that ensures the interoperability with the LoRa[®] network.

The LoRa[®] Expansion Package is compliant with the LoRa Alliance[™] specification protocol named LoRaWAN[™].

The I-CUBE-LRWAN main features are the following:

- Application integration ready
- Easy add-on of the low-power LoRa[®] solution
- Extremely low CPU load
- No latency requirements
- Small STM32 memory footprint
- Low-power timing services provided

The I-CUBE-LRWAN Expansion Package is based on the STM32Cube[™] HAL drivers (see [Section 2](#)).

This user manual provides customer application examples on NUCLEO-L053R8, NUCLEO-L152RE and NUCLEOL476RG using Semtech expansion boards SX1276MB1MAS, SX1276MB1LAS, SX1272MB2DAS, SX1262DVK1DAS, SX1262DVK1CAS and SX1262DVK1BAS.

This document targets the following tools:

- P-NUCLEO-LRWAN1, STM32 Nucleo pack for LoRa[®] technology
- B-L072Z-LRWAN1, STM32 Discovery kit embedding the CMWX1ZZABZ-091 LoRa[®] module (Murata)
- I-NUCLEO-LRWAN1, LoRa[®] expansion board for STM32 Nucleo, based on the WM-SG-SM-42 LPWAN module (USI[®])
- LRWAN-NS1, expansion board featuring the RiSiNGHF[®] modem RHF0M003 available in P-NUCLEO-LRWAN3



Contents

- 1 Overview 7**
 - 1.1 Acronyms and abbreviations 7
 - 1.2 References 8

- 2 LoRa standard overview 9**
 - 2.1 Overview 9
 - 2.2 Network architecture 9
 - 2.2.1 End-device architecture 10
 - 2.2.2 End-device classes 10
 - 2.2.3 End-device activation (joining) 11
 - 2.2.4 Regional spectrum allocation 12
 - 2.3 Network layer 12
 - 2.3.1 Physical layer (PHY) 13
 - 2.3.2 MAC sublayer 13
 - 2.4 Message flow 13
 - 2.4.1 End-device activation details (joining) 13
 - 2.4.2 End-device data communication (class A) 14
 - 2.5 Data flow 16

- 3 I-CUBE-LRWAN middleware description 17**
 - 3.1 Overview 17
 - 3.2 Features 19
 - 3.3 Architecture 20
 - 3.4 Hardware related components 21
 - 3.4.1 Radio reset 21
 - 3.4.2 SPI 21
 - 3.4.3 RTC 21
 - 3.4.4 Input lines 22

- 4 I-CUBE-LRWAN middleware programming guidelines 23**
 - 4.1 Middleware initialization 23
 - 4.2 Middleware MAC layer functions 23
 - 4.2.1 MCPS services 23

4.2.2	MLME services	24
4.2.3	MIB services	24
4.3	Middleware MAC layer callbacks	24
4.3.1	MCPS	24
4.3.2	MLME	25
4.3.3	MIB	25
4.3.4	Battery level	25
4.4	Middleware MAC layer timers	25
4.4.1	Delay Rx window	25
4.4.2	Delay for Tx frame transmission	25
4.4.3	Delay for Rx frame	25
4.5	Middleware utilities functions	26
4.5.1	Timer server APIs description	26
4.5.2	Low-power functions	26
4.5.3	System time functions	27
4.5.4	Trace functions	28
4.5.5	Queuing functions	28
4.6	Emulated secure-element	29
4.7	Middleware End_Node application function	30
4.7.1	LoRa End_Node initialization	35
4.7.2	LoRa End_Node Join request entry point	35
4.7.3	LoRa End-Node start Tx	35
4.7.4	Request End-Node Join Status	35
4.7.5	Send an uplink frame	35
4.7.6	Request the current network time	36
4.7.7	Request the next beacon timing	36
4.7.8	Switch Class Request	36
4.7.9	Get End-device current class	36
4.7.10	Request Beacon Acquisition	36
4.7.11	Send unicast ping slot info periodicity	37
4.8	LIB End_Node application callbacks	37
4.8.1	Current battery level	37
4.8.2	Current temperature level	37
4.8.3	Board unique ID	37
4.8.4	Board random seed	37
4.8.5	Make Rx frame	37

4.8.6	Request Class mode switching	38
4.8.7	End_Node Class mode change confirmation	38
4.8.8	Send a dummy uplink frame	38
5	Example description	39
5.1	Single MCU end-device hardware description	39
5.2	Split end-device hardware description (two-MCUs solution)	40
5.3	Package description	41
5.4	End_Node application	43
5.4.1	Activation methods and keys	43
5.4.2	Debug switch	43
5.4.3	Sensor switch	43
5.5	PingPong application description	44
5.6	AT_Slave application description	45
5.7	AT_Master application description	45
6	System performances	47
6.1	Memory footprints	47
6.2	Real-time constraints	47
6.3	Power consumption	48
7	Revision history	50

List of tables

Table 1.	List of acronyms and abbreviations	7
Table 2.	LoRa classes intended usage	9
Table 3.	LoraWAN regional spectrum allocation	12
Table 4.	Middleware initialization function	23
Table 5.	MCPS services function	23
Table 6.	MLME services function	24
Table 7.	MIB services functions	24
Table 8.	MCPS primitives	24
Table 9.	MLME primitive	25
Table 10.	Battery level function	25
Table 11.	Delay Rx functions	25
Table 12.	Delay for Tx frame transmission function	25
Table 13.	Delay for Rx frame function	26
Table 14.	Timer server functions	26
Table 15.	Timer server functions	26
Table 16.	System time functions	27
Table 17.	Trace functions	28
Table 18.	Middleware queuing functions	28
Table 19.	Secure-Element functions	30
Table 20.	LoRa class A initialization function	35
Table 21.	LoRa End_Node Join request entry point	35
Table 22.	LoRa End-Node start Tx	35
Table 23.	End-Node Join Status	35
Table 24.	Send an uplink frame	35
Table 25.	Current network time	36
Table 26.	Next beacon timing	36
Table 27.	Switch Class Request	36
Table 28.	Get End-Device current Class	36
Table 29.	Request Beacon Acquisition	36
Table 30.	Unicast ping slot periodicity	37
Table 31.	Current battery level function	37
Table 32.	Current Temperature function	37
Table 33.	Board unique ID function	37
Table 34.	Board random seed function	37
Table 35.	Make Rx frame	38
Table 36.	LoRa has Joined function	38
Table 37.	End_Node Class mode change confirmation function	38
Table 38.	Send a dummy uplink frame	38
Table 39.	Nucleo-based supported hardware	39
Table 40.	LoRa radio expansion boards characteristics	39
Table 41.	STM32L0xx IRQ priorities	40
Table 42.	Switch options for the application's configuration	44
Table 43.	BSP programming guidelines	46
Table 44.	Memory footprint values for End_Node application	47
Table 45.	Document revision history	50

List of figures

Figure 1.	Network diagram	10
Figure 2.	TX/Rx time diagram (class A)	10
Figure 3.	Tx/Rx time diagram (class B)	11
Figure 4.	Tx/Rx time diagram (class C)	11
Figure 5.	LoRaWAN layers	13
Figure 6.	Message sequence chart for joining (MLME primitives)	14
Figure 7.	Message sequence chart for confirmed-data (MCPS primitives)	15
Figure 8.	Message sequence chart for unconfirmed-data (MCPS primitives)	15
Figure 9.	Data flow	16
Figure 10.	Project files structure	18
Figure 11.	Main design of the firmware	20
Figure 12.	LoRaMacCrypto module design	29
Figure 13.	Operation model	32
Figure 14.	LoRa state behavior	33
Figure 15.	LoRa Class B system state behavior	34
Figure 16.	Concept for split end-device solution	40
Figure 17.	I-CUBE-LRWAN structure	42
Figure 18.	PingPong setup	45
Figure 19.	Rx/Tx time diagram	48
Figure 20.	STM32L0 current consumption against time	49

1 Overview

The I-CUBE-LRWAN Expansion Package for STM32Cube™ runs on STM32 32-bit microcontrollers based on the Arm^{®(a)} Cortex[®]-M processor.



1.1 Acronyms and abbreviations

Table 1. List of acronyms and abbreviations

Term	Definition
ABP	Activation by personalization
APP	Application
API	Application programming interface
BSP	Board support package
FSM	Finite state machine
HAL	Hardware abstraction layer
IOT	Internet of things
LoRa	Long range radio technology
LoRaWan	LoRa wide-area network
LPWAN	Low-power, wide-area network
MAC	Media access control
MCPS	MAC common part sublayer
MIB	MAC information base
MLME	MAC sublayer management entity
MPDU	MAC protocol data unit
OTAA	Over-the-air activation
PLME	Physical sublayer management entity
PPDU	Physical protocol data unit
SAP	Service access point

a. Arm is a registered trademark of Arm Limited (or its subsidiaries) in the US and/or elsewhere.

1.2 References

- LoRa Alliance specification protocol named LoRaWAN version V1.0.3 - 2018, March - Final - Released
- IEEE Std 802.15.4TM - 2011. Low-Rate Wireless Personal Area Networks (LR-WPANs)
- LoRaWAN version 1.1 Regional Parameters - RevB - 2018, January - Released

2 LoRa standard overview

2.1 Overview

This section provides a general overview of the LoRa and LoRaWAN recommendations, focusing in particular on the LoRa end-device which is the core subject of this user manual.

LoRa is a type of wireless telecommunication network designed to allow long range communication at a very low bit-rate and enabling long-life battery operated sensors. LoRaWAN defines the communication and security protocol ensuring the interoperability with the LoRa network.

The LoRa Expansion Package is compliant with the LoRa Alliance specification protocol named LoRaWAN.

[Table 2](#) shows the LoRa classes usage definition. Refer to [Section 2.2.2](#) for further details on these classes.

Table 2. LoRa classes intended usage

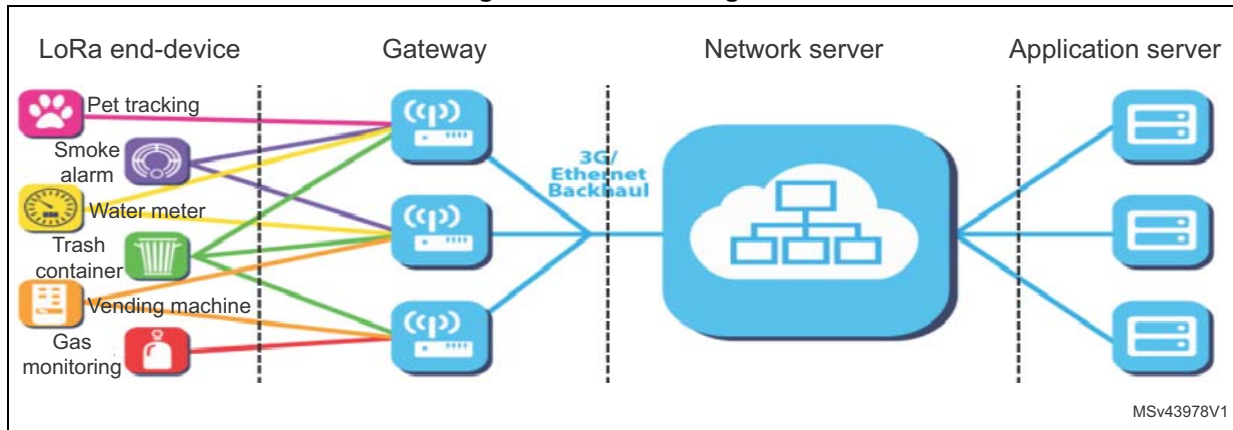
Class name	Intended usage
A - All	<ul style="list-style-type: none"> – Battery powered sensors or actuators with no latency constraint. – Most energy efficient communication class – Must be supported by all devices.
B - Beacon	<ul style="list-style-type: none"> – Battery powered actuators. – Energy efficient communication class for latency controlled downlink. – Based on slotted communication synchronized with a network beacon.
C - Continuous	<ul style="list-style-type: none"> – Main powered actuators. – Devices which can afford to listen continuously. – No latency for downlink communication.

Note: While the physical layer of LoRa is proprietary, the rest of the protocol stack (LoRaWAN) is kept open and its development is carried out by the LoRa Alliance.

2.2 Network architecture

LoRaWAN network is structured in a star of stars topology, where the end-devices are connected via a single LoRa link to one gateway as shown in [Figure 1](#).

Figure 1. Network diagram



MSv43978V1

2.2.1 End-device architecture

The end-device is made of an RF transceiver (also known as radio) and a host STM32 MCU. The RF transceiver is composed of a modem and an RF up-converter. The MCU implements the radio driver, the LoRaWAN stack and optionally the sensor drivers.

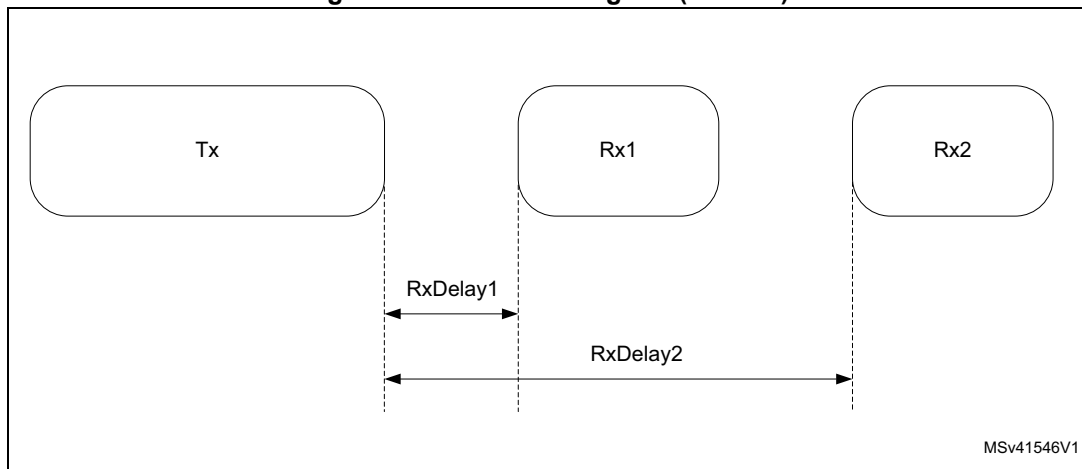
2.2.2 End-device classes

The LoRaWAN has several different classes of end-point devices, addressing the different needs reflected in the wide range of applications.

Bi-directional end-devices - class A - (all devices)

- Class A operation is the lowest-power end-device system
- Each end-device uplink transmission is followed by two short downlink receive windows
- Downlink communication from the server shortly after the end-device has sent an uplink transmission (see [Figure 2](#))
- Transmission slot is based on own communication needs of the end-device (ALOHA-type of protocol).

Figure 2. TX/Rx time diagram (class A)

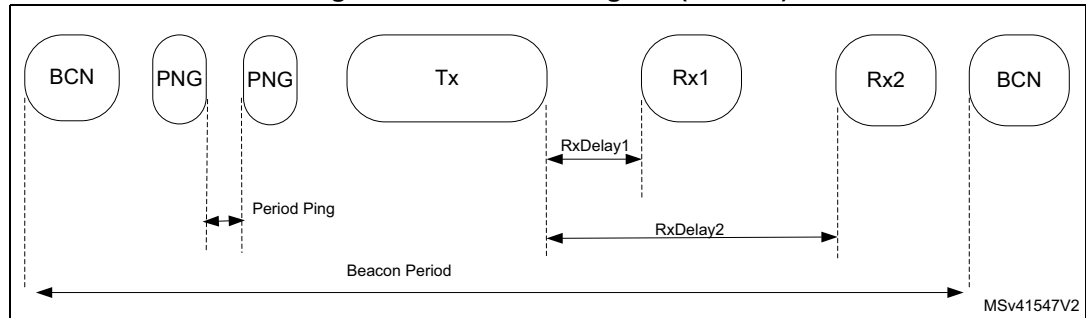


MSv41546V1

Bi-directional end-devices with scheduled receive slots - class B - (beacon)

- Mid power consumption
- Class B devices open extra receive windows at scheduled times (see [Figure 3](#))
- In order for the end-device to open the receive window at the scheduled time, it receives a time-synchronized beacon from the gateway.

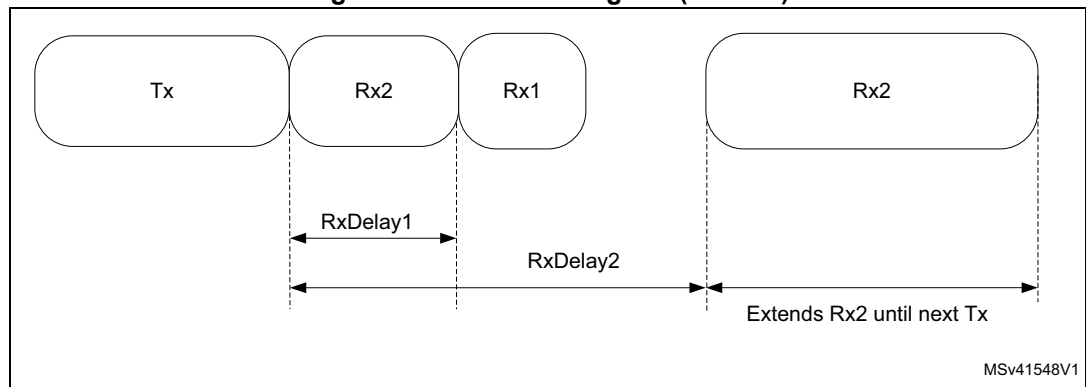
Figure 3. Tx/Rx time diagram (class B)



Bi-directional end-devices with maximal receive slots - class C - (continuous)

- Large power consumption
- End-devices of class C have nearly continuously open receive windows, only closed when transmitting (see [Figure 4](#)).

Figure 4. Tx/Rx time diagram (class C)



2.2.3 End-device activation (joining)

Over-the-air activation (OTAA)

The OTAA is a joining procedure for the LoRa end-device to participate in a LoRa network. Both the LoRa end-device and the application server share the same secret key known as AppKey. During a joining procedure, the LoRa end-device and the application server exchange inputs to generate two session keys:

- a network session key (NwksKey) for MAC commands encryption
- an application session key (AppSKey) for application data encryption

Activation by personalization (ABP)

In the case of ABP, the NwkSKey and AppSKey are already stored in the LoRa end-device that sends the data directly to the LoRa network.

2.2.4 Regional spectrum allocation

The LoRaWAN specification varies slightly from region to region. The European, North American and Asian markets have different spectrum allocations and regulatory requirements. See [Table 3](#) for more details.

Table 3. LoraWAN regional spectrum allocation

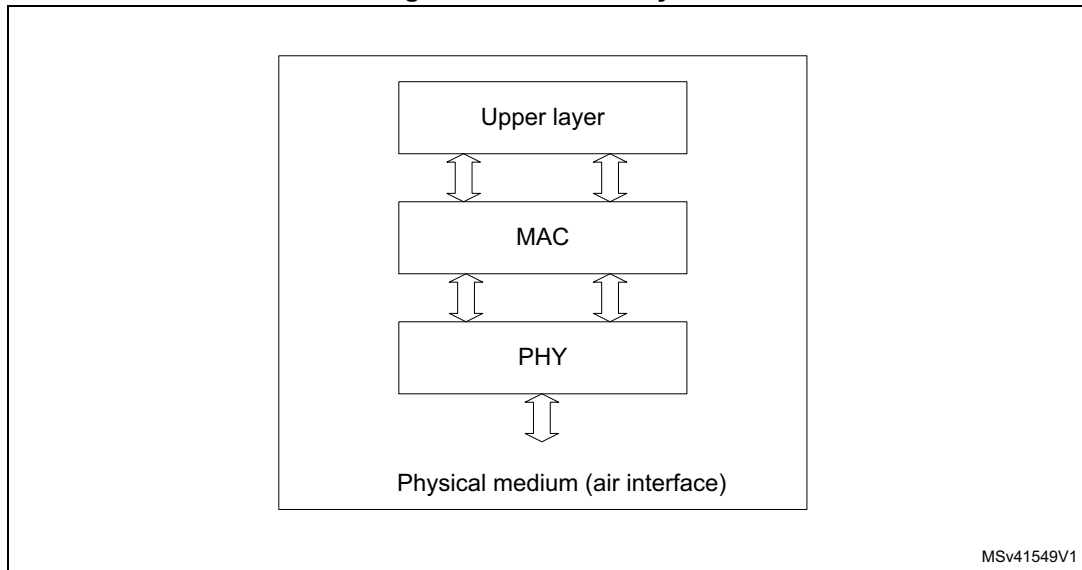
Region	Supported	Band [MHz]	Duty cycle	Output power
EU	Y	868	<1 %	+14 dBm
EU	Y	433	<1 %	+10 dBm
US	Y	915	<2 % (BW<250 kHz) or <4 % (BW>=250 kHz) Transmission slot < 0.4 s	+20 dBm
CN	N	779	<0.1 %	+10 dBm
AS	Y	923	<1 %	+16 dBm
IN	Y	865	No	+20 dBm
KR	Y	920	No	+10 dBm
RU	Y	868	<1 %	+16 dBm

2.3 Network layer

The LoRaWAN architecture is defined in terms of blocks, also called “layers”. Each layer is responsible for one part of the standard and it offers services to higher layers.

The end-device is made at least of one physical layer (PHY), which embeds the radio frequency transceiver, a MAC sublayer providing access to the physical channel, and an Application layer (see [Figure 5](#)).

Figure 5. LoRaWAN layers



2.3.1 Physical layer (PHY)

The physical layer provides two services:

- The PHY data service which enables the Tx/Rx of physical protocol data units (PPDUs)
- The PHY management service which enables the personal area network information base (PIB) management.

2.3.2 MAC sublayer

The MAC sublayer provides two services:

- The MAC data service which enables the transmission and reception of MAC protocol data units (MPDU) across the physical layer
- The MAC management service which enables the PIB management

2.4 Message flow

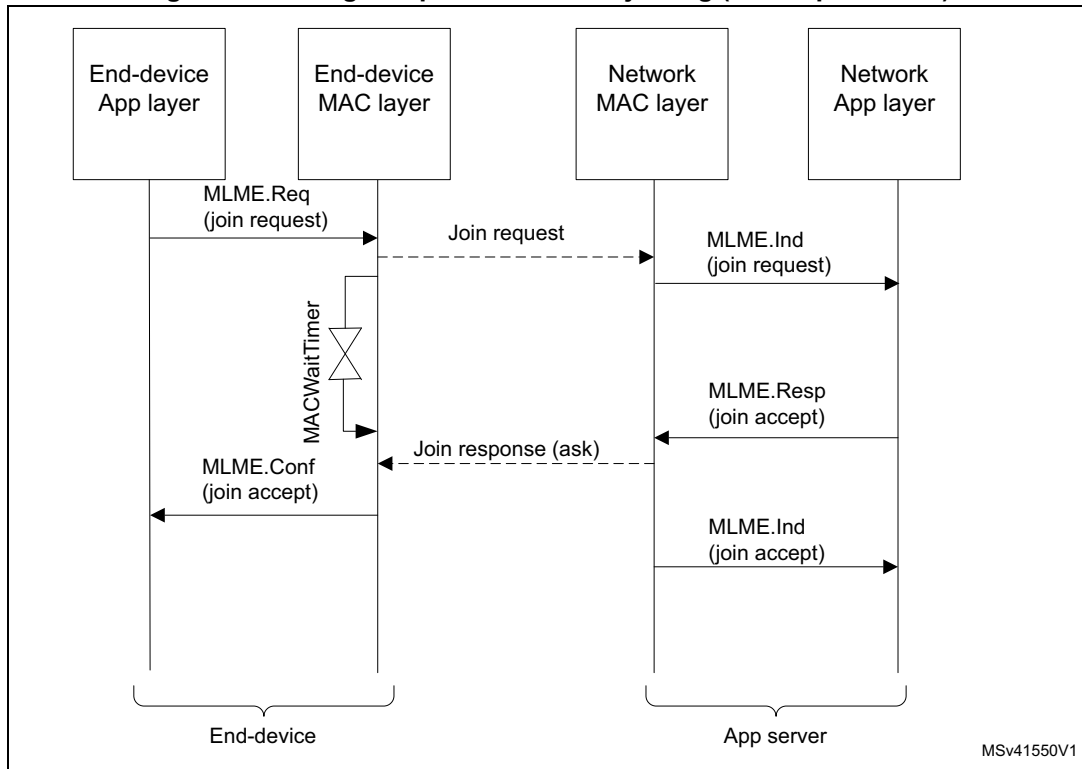
This section describes the information flow between the N-user and the N-layer. The request to a service is done through a service primitive.

2.4.1 End-device activation details (joining)

Before communicating on the LoRaWAN network, the end-device must be associated or activated following one of the two activation methods described in [Section 2.2.3](#).

The message sequence chart (MSC) in [Figure 6](#) shows the OTAA activation method.

Figure 6. Message sequence chart for joining (MLME primitives)



2.4.2 End-device data communication (class A)

The end-device transmits data by one of the following methods: through a confirmed-data message method (see [Figure 7](#)) or through an unconfirmed-data message (see [Figure 8](#)).

In the first method, the end-device requires an ‘Ack’ (acknowledgment) to be done by the receiver while in the second method, the ‘Ack’ is not required.

When an end-device sends data with an ‘Ackreq’ (acknowledgment request), the end-device should wait during an acknowledgment duration (‘AckWaitDuration’) to receive the acknowledgment frame (refer to [Section 4.3.1: MCPS](#)).

If the acknowledgment frame is received, then the transmission is successful, else the transmission failed.

Figure 7. Message sequence chart for confirmed-data (MCPS primitives)

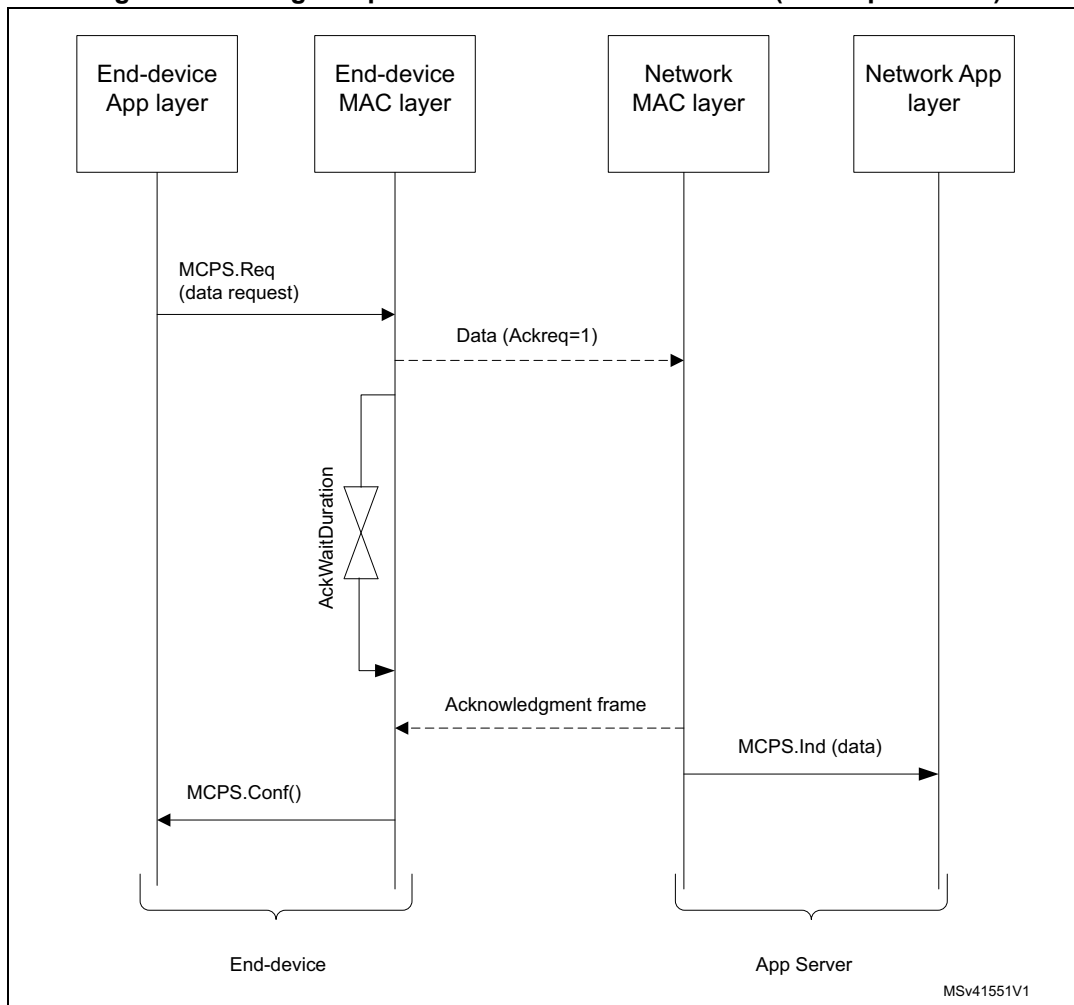
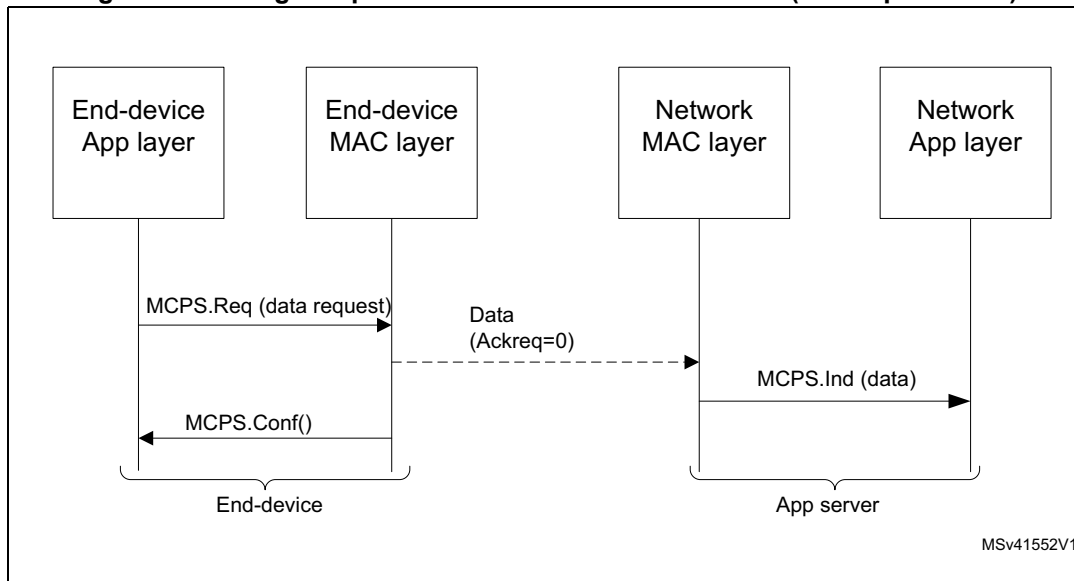


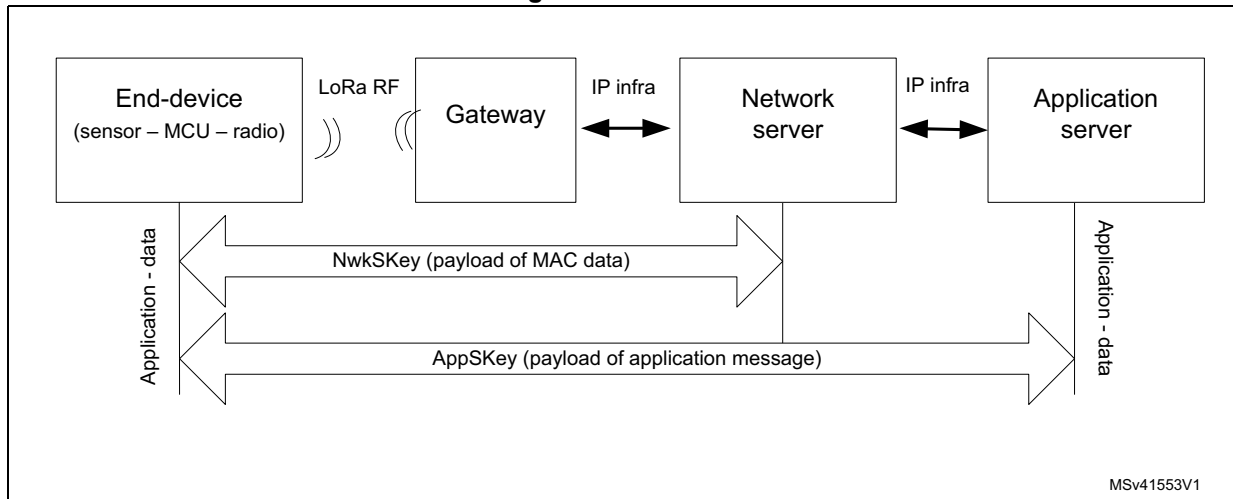
Figure 8. Message sequence chart for unconfirmed-data (MCPS primitives)



2.5 Data flow

The data integrity is ensured by the network session key (NwkSKey) and the application session key (AppSKey). The NwkSKey is used to encrypt and decrypt the MAC payload data and the AppSKey is used to encrypt and decrypt the application payload data. See [Figure 9](#) for the data flow representation.

Figure 9. Data flow



The NwkSKey is shared between the end-device and the network server. The NwkSKey provides message integrity for the communication and provides security for the end-device towards the network server communication.

The AppSKey is shared between the end-device and the application server. The AppSKey is used to encrypt/decrypt the application data. In other words, the AppSKey provides security for the application’s payload. In this way, the application data sent by an end-device can not be interpreted by the network server.

3 I-CUBE-LRWAN middleware description

3.1 Overview

This I-CUBE-LRWAN package offers a LoRa stack middleware for STM32 microcontrollers. This middleware is split into several modules:

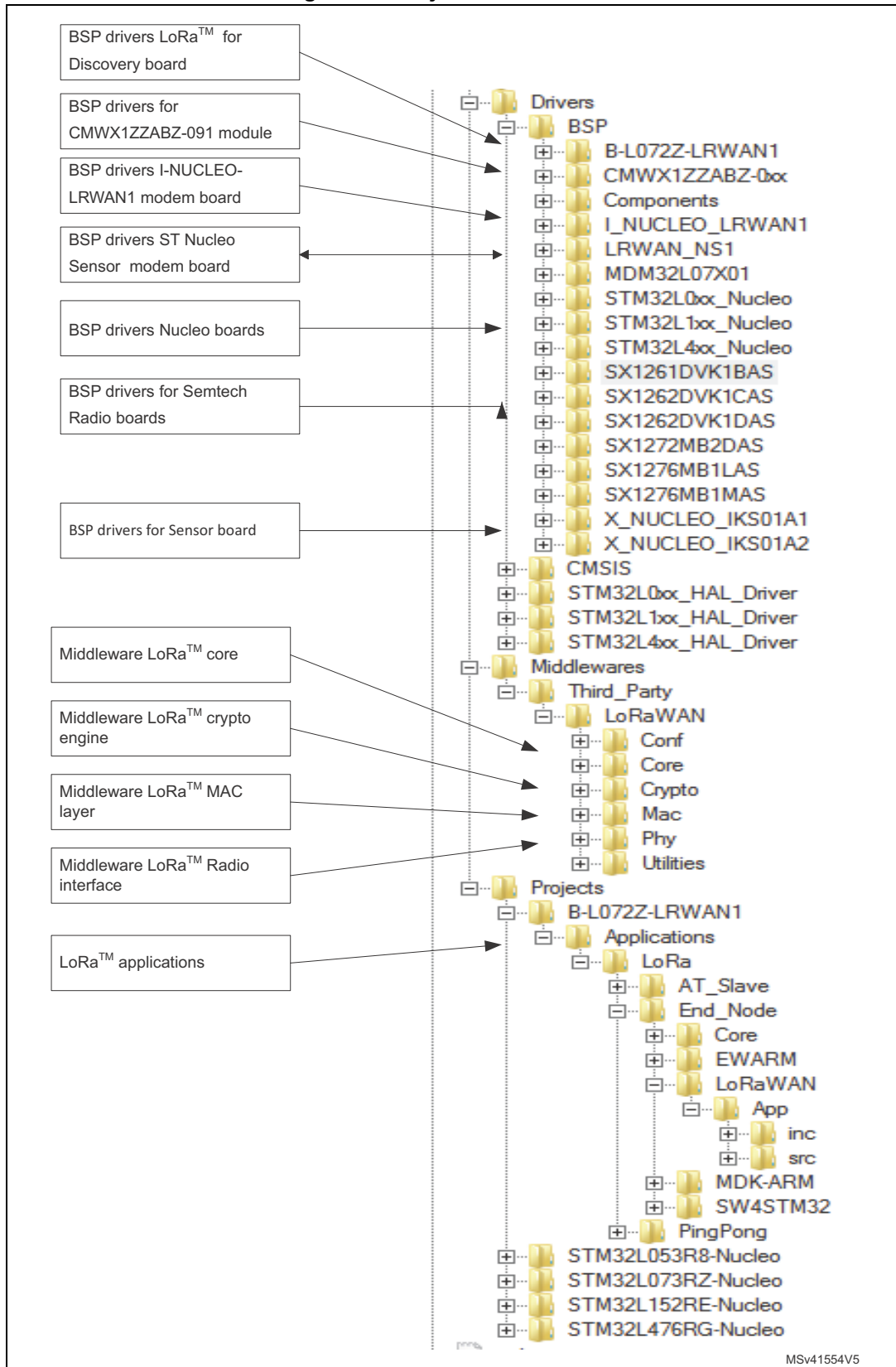
- LoRaMac layer module
- LoRa utilities module
- LoRa crypto module
- LoRa core module

The LoRa core module implements a LoRa state machine coming on top of the LoRaMac layer. The LoRa stack module interfaces with the BSP Semtech radio driver module.

This middleware is provided in source-code format and is compliant with the STM32Cube™ HAL driver.

Refer to [Figure 10](#) for the structure of the project files.

Figure 10. Project files structure



MSw41554V5

The I-CUBE-LRWAN package includes:

- The LoRa stack middleware:
 - LoRaWAN layer
 - LoRa utilities such as power, queue, system time, time server, and trace managements
 - LoRa software crypto engine
 - LoRa state machine
- Board support package:
 - Radio Semtech drivers
 - Sensor ST drivers
- STM32L0 HAL drivers
- LoRa main application example

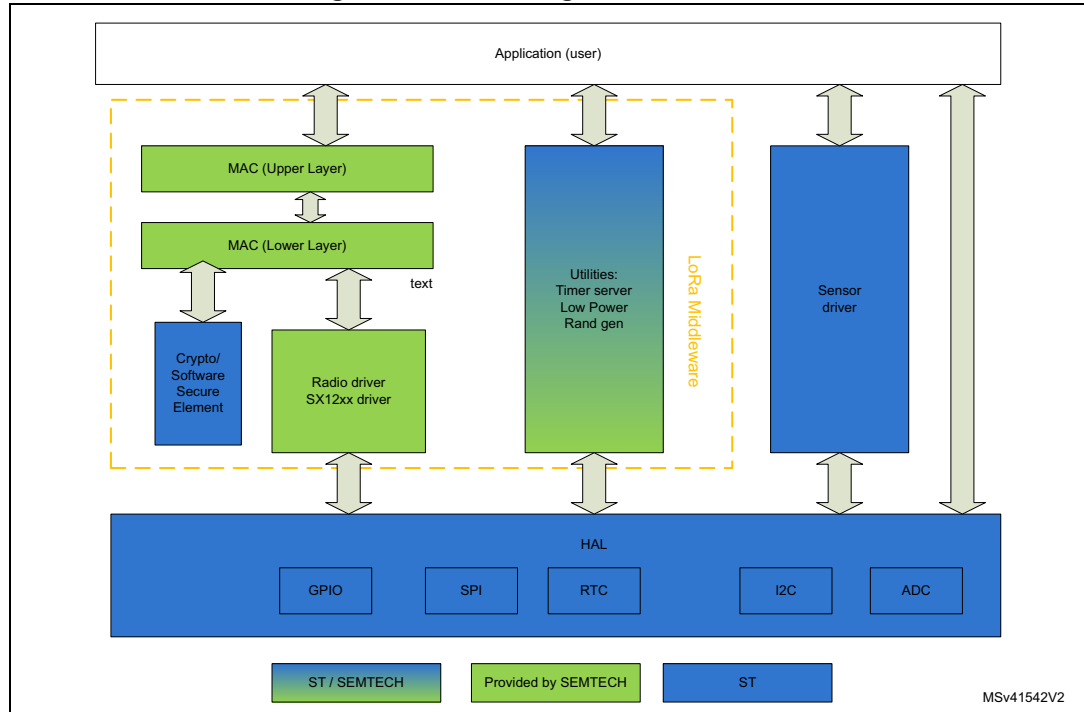
3.2 Features

- Compliant with the specification for the LoRa Alliance protocol named LoRaWAN
- On-board LoRaWAN class A, class B and class C protocol stack
- EU 868MHz ISM band ETSI compliant
- EU 433MHz ISM band ETSI compliant
- US 915MHz ISM band FCC compliant
- KR 920Mhz ISM band defined by Korean Government
- RU 864Mhz ISM band defined by Russian regulation
- End-device activation either through over-the-air activation (OTAA) or through activation-by-personalization (ABP)
- Adaptive data rate support
- LoRaWAN test application for certification tests included
- Low-power optimized

3.3 Architecture

Figure 11 describes the main design of the firmware for the I-CUBE-LRWAN application.

Figure 11. Main design of the firmware



The HAL uses Cube APIs to drive the MCU hardware required by the application. Only specific hardware is included in the LoRa middleware as it is mandatory to run a LoRa application.

The RTC provides a centralized time unit which continues to run even in Low-power mode (Stop mode). The RTC alarm is used to wake up the system at specific timings managed by the timer server.

The radio driver uses the SPI and the GPIO hardware to control the radio (see Figure 11). The radio driver also provides a set of APIs to be used by higher level software.

The LoRa radio is provided by Semtech, though the APIs have been slightly modified to interface with the STM32Cube™ HAL.

The radio driver is split in two parts:

- The sx1276.c, sx1272.c and sx126x.c contain all functions which are radio dependent only.
- The sx1276mb1mas.c, sx1276mb1las, sx1272mb2das, sx1262dvk1das, sx1262dvk1cas and sx1262dvk1bas contain all the radio board dependent functions.

The MAC controls the PHY using 802.15.4 model. The MAC interfaces with the PHY driver and uses the timer server to add or remove timed tasks and to take care of the 'Tx time on air'. This action ensures that the duty-cycle limitation mandated by the ETSI is respected and also carries out AES encryption/decryption algorithm to cypher the MAC header and the payload.

Since the state machine, that controls the LoRa class A, is sensitive, an intermediate level of software has been inserted (lora.c) between the MAC and the application (refer to MAC's "upper layer" on [Figure 11](#)). With a set of APIs limited as of now, the user is free to implement the class A state machine at application level.

The application, built around an infinite loop, manages the low-power, runs the interrupt handlers (alarm or GPIO) and calls the LoRa class A if any task must be done. This application also implements the sensor read access.

3.4 Hardware related components

3.4.1 Radio reset

One GPIO from the MCU is used to reset the radio. This action is done once at the initialization of the hardware (refer to [Table 40: LoRa radio expansion boards characteristics](#) and to [Section 5.1: Single MCU end-device hardware description](#)).

3.4.2 SPI

The sx127x or sx126x radio commands and registers are accessed through the SPI bus at 1 Mbit/s (refer to [Table 40](#) and to [Section 5.1](#)).

3.4.3 RTC

The RTC calendar is used as a timer engine running in all power modes from the 32 kHz external oscillator. By default, the RTC is programmed to provide 1024 ticks (sub-seconds) per second. The RTC is programmed once at initialization of the hardware when the MCU starts for the first time. The RTC output is limited to a 32-bit timer that is around a 48 days period.

If the user needs to change the tick duration, note that the tick duration should remain below 1 ms.

3.4.4 Input lines

3.4.4.1 sx127x interrupt lines

Four sx127x interrupt lines are dedicated to receive the interrupts from the radio (refer to [Table 40](#) and to [Section 5.1](#)).

The DIO0 is used to signal that the LoRa radio has successfully completed a requested task (TxDone or RxDone).

The DIO1 is used to signal that the radio has failed to complete a requested task (RxTimeout).

In FSK mode, a FIFO-level interrupt signals that the FIFO-level has reached a predefined threshold and needs to be flushed.

The DIO2 is used in FSK mode and signals that the radio has successfully detected a preamble.

The DIO3 is reserved for future use.

Note: The FSK mode in LoRaWAN has the fastest data rate at 50 kbit/s.

3.4.4.2 sx126x input lines

sx126x interface is simplified compared to sx127x. One busy signal informs the MCU that the radio is busy and can not treat any commands. The MCU must poll that the ready signal is deasserted before any new command can be sent.

DIO1 is used as a single line interrupt.

4 I-CUBE-LRWAN middleware programming guidelines

This section gives a description of the LoRaMac layer APIs. The PHY layer being proprietary (see [Section 2.1: Overview](#)) is out of the scope of this user manual and must be viewed as a black box.

4.1 Middleware initialization

The initialization of the LoRaMac layer is done through the 'LoraMacInitialization' function. This function does the preamble run time initialization of the LoRaMac layer and initializes the callback primitives of the MCPS and MLME services (see [Table 4](#)).

Table 4. Middleware initialization function

Function	Description
LoRaMacStatus_t LoRaMacInitialization (LoRAMacPrimitives_t *primitives, LoRaMacCallback_t *callback, LoRaMacRegion_t region)	Do initialization of the LoRaMac layer module (see Section 4.3: Middleware MAC layer callbacks)

4.2 Middleware MAC layer functions

The provided APIs follow the definition of "primitive" defined in IEEE802.15.4-2011 (see [Section 1.2: References](#)).

The interfacing with the LoRaMac is made through the request-confirm and the indication-response architecture. The application layer can perform a request, which the LoRaMAC layer confirms with a confirm primitive. Conversely, the LoRaMAC layer notifies an application layer with the indication primitive in case of any event.

The application layer may respond to an indication with the response primitive. Therefore all the confirm/indication are implemented using callbacks.

The LoRaMAC layer provides MCPS services, MLME services and MIB services.

4.2.1 MCPS services

In general, the LoRaMAC layer uses the MCPS services for data transmissions and data receptions (see [Table 5](#)).

Table 5. MCPS services function

Function	Description
LoRaMacStatus_t LoRaMacMcpsRequest (McpsReq_t *mcpsRequest)	Requests to send Tx data

4.2.2 MLME services

The LoRaMAC layer uses the MLME services to manage the LoRaWAN network (see [Table 6](#)).

Table 6. MLME services function

Function	Description
LoRaMacStatus_t LoRaMacMlmeRequest (MlmeReq_t *mlmeRequest)	Used to generate a join request or request for a link check

4.2.3 MIB services

The MIB stores important runtime information (such as MIB_NETWORK_ACTIVATION, MIB_NET_ID) and holds the configuration of the LoRaMAC layer (for example the MIB_ADR, MIB_APP_KEY). The provided APIs are presented in [Table 7](#).

Table 7. MIB services functions

Function	Description
LoRaMacStatus_t LoRaMacMibSetRequestConfirm (MibRequestConfirm_t *mibSet)	To set attributes of the LoRaMac layer
LoRaMacStatus_t LoRaMacMibGetRequestConfirm (MibRequestConfirm_t *mibGet)	To get attributes of the LoRaMac layer

4.3 Middleware MAC layer callbacks

Refer to [Section 4.1: Middleware initialization](#) for the description of the LoRaMac user event functions primitives and the callback functions.

4.3.1 MCPS

In general, the LoRaMAC layer uses the MCPS services for data transmission and data reception (see [Table 8](#)).

Table 8. MCPS primitives

Function	Description
void (*MacMcpsConfirm) (McpsConfirm_t *McpsConfirm)	Event function primitive for the called callback to be implemented by the application. Response to a McpsRequest
Void (*MacMcpsIndication) (McpsIndication_t *McpsIndication)	Event function primitive for the called callback to be implemented by the application. Notifies application that a received packet is available

4.3.2 MLME

The LoRaMAC layer uses the MLME services to manage the LoRaWAN network (see [Table 9](#)).

Table 9. MLME primitive

Function	Description
void (*MacMlmeConfirm) (MlmeConfirm_t *MlmeConfirm)	Event function primitive so called callback to be implemented by the application

4.3.3 MIB

N/A

4.3.4 Battery level

The LoRaMAC layer needs a battery-level measuring service (see [Table 10](#)).

Table 10. Battery level function

Function	Description
uint8_t HW_GetBatteryLevel (void)	Get the measured battery level

4.4 Middleware MAC layer timers

4.4.1 Delay Rx window

Refer to [Section 2.2.2: End-device classes](#). See [Table 11](#) for the delay Rx functions.

Table 11. Delay Rx functions

Function	Description
void OnRxWindow1TimerEvent (void)	Set the RxDelay1 (ReceiveDelayX - RADIO_WAKEUP_TIME)
void OnRxWindow2TimerEvent (void)	Set the RxDelay2

4.4.2 Delay for Tx frame transmission

[Table 12](#) presents the function for delay for the Tx frame transmission.

Table 12. Delay for Tx frame transmission function

Function	Description
void OnTxDelayedTimerEvent (void)	Set timer for Tx frame transmission

4.4.3 Delay for Rx frame

[Table 13](#) presents the function for the delay for Rx frame.

Table 13. Delay for Rx frame function

Function	Description
void OnAckTimeoutTimerEvent (void)	Set timeout for received frame acknowledgment

4.5 Middleware utilities functions

4.5.1 Timer server APIs description

A timer server is provided so that the user may request timed-tasks execution. As the hardware timer is based on the RTC, the time is always counted, even in Low-power modes.

The timer server provides a reliable clock for the user and the LoRa stack. The user may request as many timers as the application requires.

Four APIs are provided as shown in [Table 14](#):

Table 14. Timer server functions

Function	Description
void TimerInit (TimerEvent_t *obj, void (*callback) (void))	Initialize the timer and associate a callback function when timer elapses
void TimerSetValue (TimerEvent_t *obj, uint32_t value)	Set the timer a timeout value on milliseconds
void TimerStart (TimerEvent_t *obj)	Start the timer
void TimerStop (TimerEvent_t *obj)	Stop the timer

The timer server is located in Middlewares\Third_Party\Lora\Utilities.

4.5.2 Low-power functions

The APIs presented in [Table 15](#) allow to manage the Low-power mode of the core MCU.

Table 15. Timer server functions

Function	Description
void LPM_EnterLowPower (void)	Allow to enter the system in Low-power mode
void LPM_EnterSleepMode (void)	Allow application to implement dedicated code before entering Sleep mode
void LPM_ExitSleepMode (void)	Allow application to implement dedicated code before getting out Sleep mode
void LPM_EnterStopMode (void)	Enter Low-power Stop mode"
void LPM_ExitStopMode (void)	Exit "Low-power Stop mode"
void LPM_EnterOffMode (void)	Allow application to implement dedicated code before entering Off mode
void LPM_ExitOffMode(void)	Allow application to implement dedicated code before getting out "Off mode"

Table 15. Timer server functions (continued)

Function	Description
LPM_GetMode_t LPM_GetMode (void)	Return the selected low-power mode
void LPM_SetStopMode (LPM_Id_t id, LPM_SetMode_t mode)	Allow to Enable or Disable the Stop mode in order to require "Sleep mode"
void LPM_SetOffMode (LPM_Id_t id, LPM_SetMode_t mode)	Allow to enable or "Stop mode" or enable "Off mode"

4.5.3 System time functions

MCU time is referenced to MCU reset. SysTime is able to record the Unix epoch time.

The APIs presented in [Table 16](#) allow to manage the system time of the core MCU.

Table 16. System time functions

Function	Description
void SysTimeSet (SysTime_t sysTime)	Based on an input Unix epoch in seconds and sub-seconds, the difference with the MCU time is stored in the BACK_UP register (retained even in standby mode). System time reference is Unix epoch starting Monday January 1st 1970.
SysTime_t SysTimeGet (void)	Get the current system time. System time reference is UNIX epoch starting Monday January 1st 1970.
uint32_t SysTimeMkTime (const struct tm* localtime)	Convert Local time into Epoch time cf.(below note)
void SysTimeLocalTime (const uint32_t timestamp, struct tm *localtime)	Convert Local time into Epoch time into local time cf. (below note)

Note: *SysTimeMkTime and SysTimeLocalTime are also provided in order to convert epoch into tm structure as specified by time.h interface.*

To convert UNIX time to your local time, time zone need to be added and leap seconds need to be removed. In 2018, 18 leap seconds need to be removed. In Paris summer time, there are two hours difference from Greenwich time, assuming time has been set, local time can be printed on terminal:

```
{
SysTime_t UnixEpoch = SysTimeGet();

struct tm localtime;

UnixEpoch.Seconds-=18; /*removing leap seconds*/

UnixEpoch.Seconds+=3600*2; /*adding 2 hours*/

SysTimeLocalTime(UnixEpoch.Seconds, & localtime);

PRINTF ("it's %02dh%02dm%02ds on %02d/%02d/%04d\n\r",
```

```

        localtime.tm_hour, localtime.tm_min, localtime.tm_sec,
        localtime.tm_mday, localtime.tm_mon+1, localtime.tm_year + 1900);
    }

```

4.5.4 Trace functions

The trace module enables to print data on a com port using DMA.

The APIs presented in [Table 17](#) allow to manage the Trace functions.

Table 17. Trace functions

Function	Description
void Tracelnit (void)	Tracelnit must be called at the application initialization. It initializes the com or vcom hardware in DMA mode, registers the call back to be processed at DMA transmission completion.
int32_t TraceSend (const char *strFormat,...)	Convert string format into a buffer and buffer length and records it into the circular queue if sufficient space is left Returns 0 when queue if sufficient space is left, Returns -1 when not enough room is left.

Note: It can be used in polling mode when no real time constraints apply, typically during application initialization:

```
#define PPRINTF(...) do{} while (0!= TraceSend (__VA_ARGS__)) //Polling Mode.
```

It can be used in real time mode. In this case, when there is not space left in the circular queue, the string is not added and will not be printed out in com port

```
#define PPRINTF(...) do {TraceSend (__VA_ARGS__);} while(0)
```

Buffer length can be increased in case it is saturated to often in utilities_conf.h

```
#define DBG_TRACE_MSG_QUEUE_SIZE 256
```

4.5.5 Queuing functions

The queue module provides a set of services managing a buffer as a circular queue.

The APIs presented in [Table 18](#) allow to manage a circular queuing buffer.

Table 18. Middleware queuing functions

Function	Description
int CircularQueue_Init (queue_t *q, uint8_t* queueBuffer, uint32_t queueSize, uint16_t elementSize, uint8_t optionFlags)	Do initialization of the circular buffer.
uint8_t* CircularQueue_Add (queue_t *q, uint8_t* x, uint16_t elementSize, uint32_t nbElements)	Add an element to the circular buffer.

Table 18. Middleware queuing functions (continued)

Function	Description
uint8_t* CircularQueue_Remove (queue_t *q, uint16_t* elementSize)	Remove an element from the circular buffer.
uint8_t* CircularQueue_Sense (queue_t *q, uint16_t* elementSize)	Sense if the circular buffer is not empty. If not empty, it returns the address of the buffer and its length through element size.

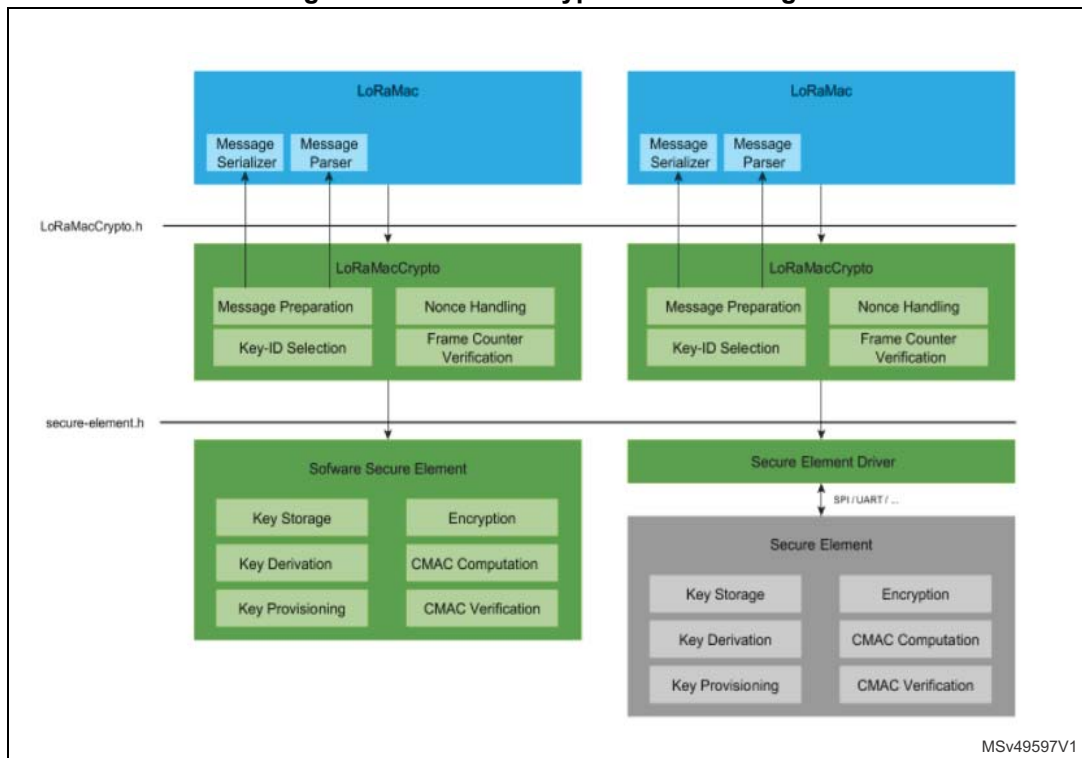
Note: The queue is filled with elements. Each element is composed of buffer length field (2 bytes) and the buffer. When an element is too large to fit at the end of the queue, it is fragmented into two elements.

4.6 Emulated secure-element

By default the proposal hardware platforms doesn't integrate a Secure Element device. Therefore this Secure-Element device is emulated by software.

Figure 12 describes the main design of LoRaMacCrypto module.

Figure 12. LoRaMacCrypto module design



The APIs presented in Table 19 allow to manage the Emulated Secure-element.

Table 19. Secure-Element functions

Function	Description
SecureElementStatus_t SecureElementInit (EventNvmCtxChanged seNvmCtxChanged)	Initialization of Secure Element driver. The Callback function which is called when the non-volatile context must be stored.
SecureElementStatus_t SecureElementRestoreNvmCtx (void* seNvmCtx)	Restores the internal nvm context from passed pointer to non-volatile module context to be restored.
void* SecureElementGetNvmCtx (size_t* seNvmCtxSize)	Request Address where the non volatile context is stored.
SecureElementStatus_t SecureElementSetKey (KeyIdentifier_t keyID, uint8_t* key)	Sets a key.
SecureElementStatus_t SecureElementComputeAesCmac (uint8_t* buffer, uint16_t size, KeyIdentifier_t keyID, uint32_t* cmac)	Computes a CMAC. The KeyID allows to determine the AES key to use.
SecureElementStatus_t SecureElementVerifyAesCmac (uint8_t* buffer, uint16_t size, uint32_t expectedCmac, KeyIdentifier_t keyID)	Computes cmac and compare with expected cmac. The KeyID allows to determine the AES key to be used.
SecureElementStatus_t SecureElementAesEncrypt (uint8_t* buffer, uint16_t size, KeyIdentifier_t keyID, uint8_t* encBuffer)	Encrypt a buffer. The keyID to determine the AES key to be used.
SecureElementStatus_t SecureElementDeriveAndStoreKey (Version_t version, uint8_t* input, KeyIdentifier_t rootKeyID, KeyIdentifier_t targetKeyID)	Derives and store a key. The key derivation depends of the LoRaWAN versionKeyID, rootKeyID allows to identify the root key to perform the derivation.

4.7 Middleware End_Node application function

The interface to the MAC is done through the MAC interface file 'LoRaMac.h'.

Standard mode

In standard mode, an interface file (see MAC upper layer in [Figure 11](#)) is provided to let the user start without worrying about the LoRa state machine. The interface file is located in Middlewares\Third_Party\Lora\Core\lora.c.

The interface file implements:

- a set of APIs allowing to access to the LoRaMAC services
- the LoRa certification test cases that are not visible to the application layer

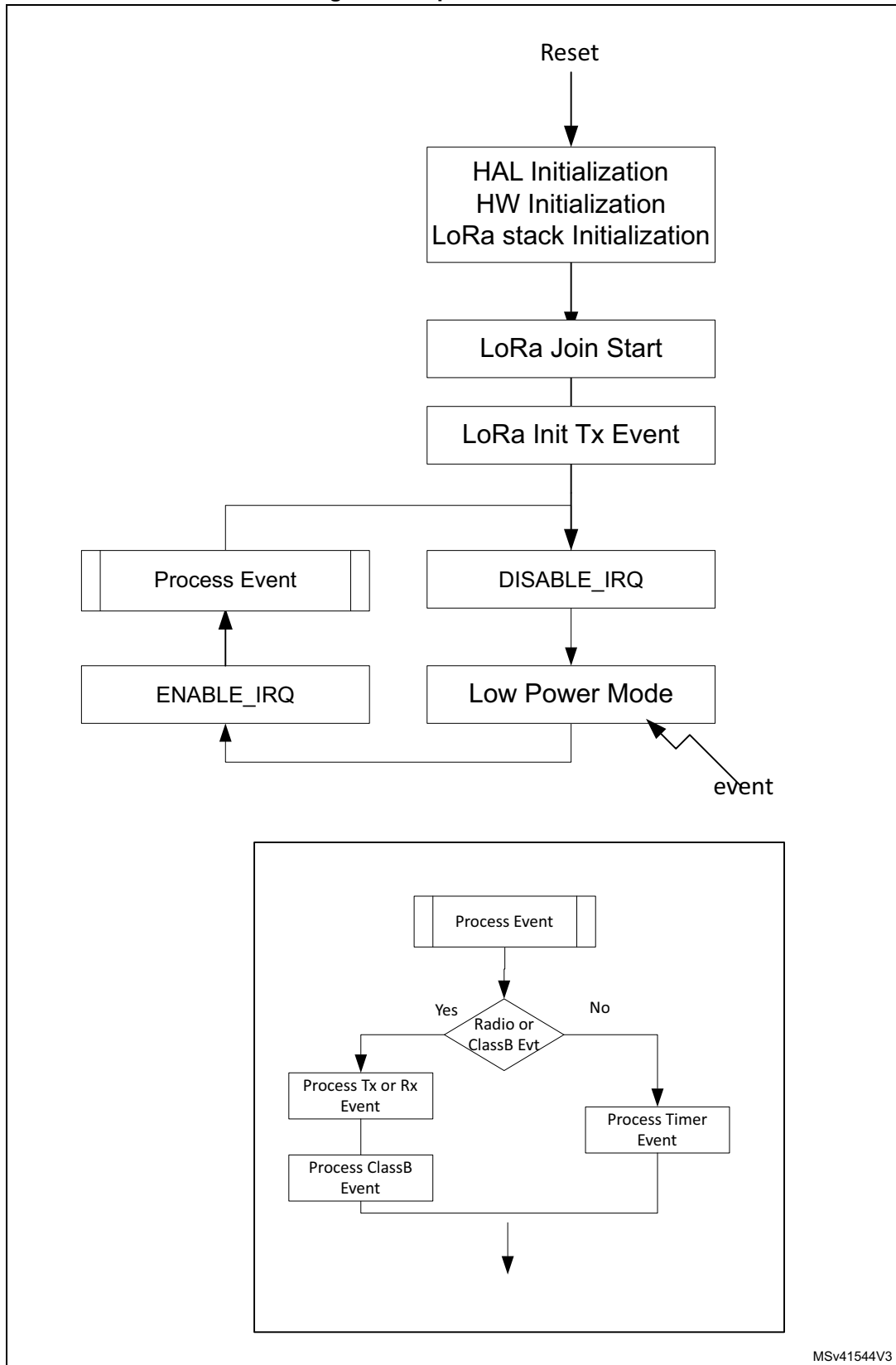
Advanced mode

In this mode, the user accesses directly the MAC layer by including the MAC in the user file.

Operation model

The operation model proposed for this LoRa End_Node (see [Figure 13](#)) is based on 'event-driven' paradigms including 'time-driven'. The behavior of the system LoRa is triggered either by a timer event or by a radio event plus a guard transition.

Figure 13. Operation model



MSv41544V3

LoRa system state behavior

Figure 14 describes the Lora End_Node System State Behavior.

On reset after system initialization done, the LoRa End_Node system goes into a Start state defined as 'Init'.

The LoRa End_Node system does a join network request when using the "over_the_air_activation (OTAA)" method and goes into a state defined as 'Sleep'.

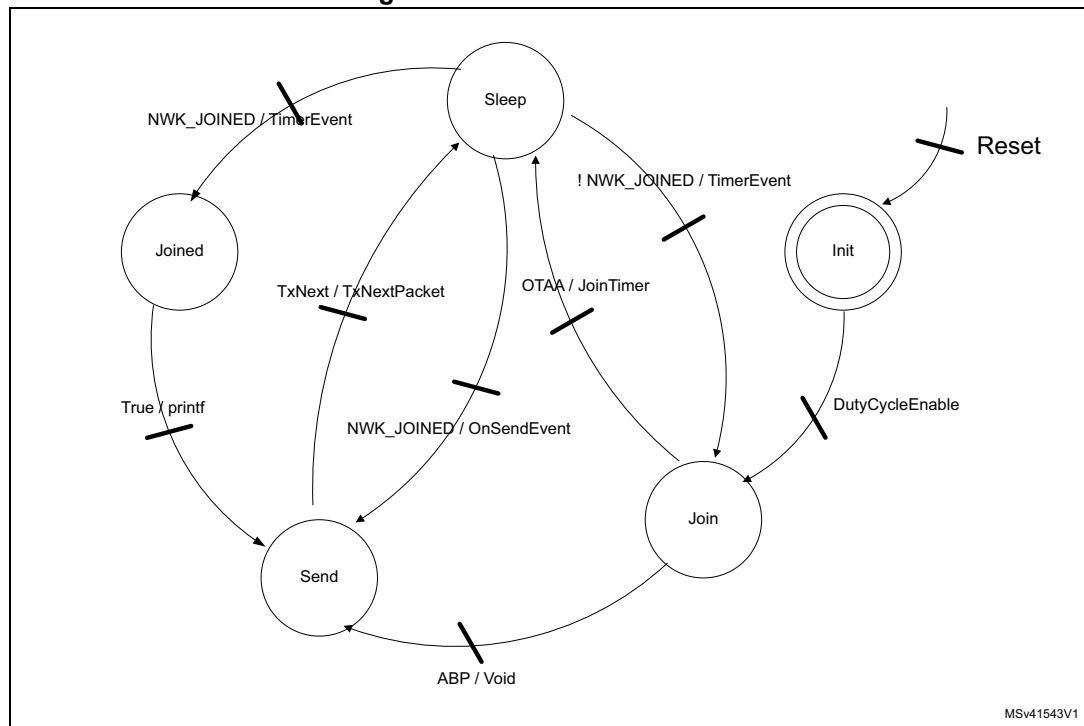
When using the "activation by personalization (ABP)", the network is already joined and therefore the LoRa End_Node system jumps directly to a state defined as 'Send'.

From the state defined as 'Sleep', if the end-device has joined the network when a "TimerEvent" occurs, the LoRa End_Node system goes into a temporary state defined as 'Joined' before going into the state defined as 'Send'.

From the state defined as 'Sleep', if the end-device has joined the network when an "OnSendEvent" occurs, the LoRa End_Node system goes into the state defined as 'Send'.

From the state defined as 'Send', the LoRa End_Node system goes back to the state defined as 'Sleep' in order to wait the 'onSendEvent' corresponding to the next scheduled packet to be send.

Figure 14. LoRa state behavior



LoRa Class B system state behavior

Figure 15 describes the LoRa Class B mode End-Node System State behavior.

1. Before doing a request to switch to Class B mode an End-device must be first in a Join state cf.(Figure 13).
2. The decision to switch from Class A to Class B mode always comes from the application layer of the End-Device. If the decision comes from the network side, the

application server must use End-Device's Class A uplink to send back a downlink frame to the application layer.

On MLME Beacon_Acquisition_req the End-Device LoRa Class B system state goes into a BEACON_STATE_ACQUISITION.

The LoRa End-Device starts the beacon acquisition. When the MAC layer has received a beacon in function RxBeacon successfully, the next state is BEACON_STATE_LOCKED.

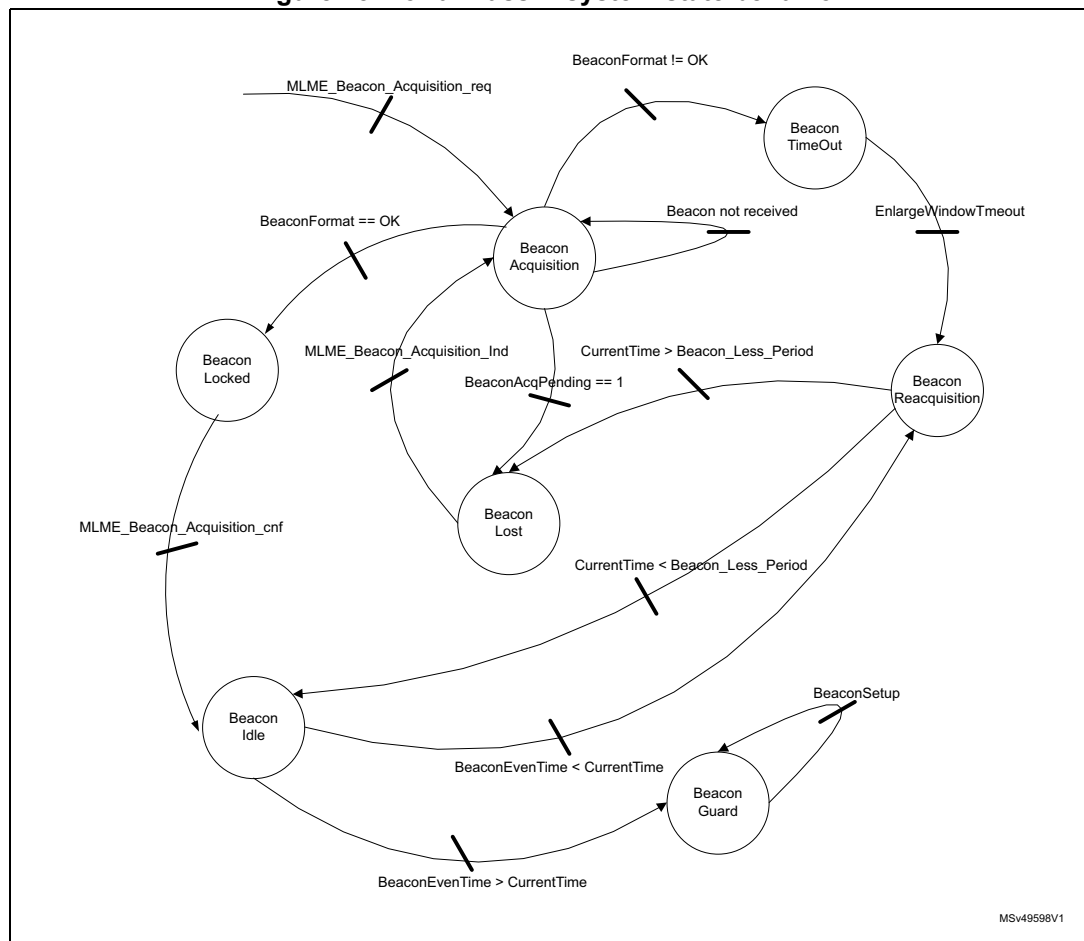
The LoRa End-Device has received a beacon. Acquisition is no longer pending then the MAC layer goes in BEACON_STATE_IDLE.

In BEACON_STATE_IDLE, the MAC layer compares the BeaconEventTime with the current End-Device Time. If the beaconEventTime is less than current End-Device Time the MAC layer goes in BEACON_STATE_REACQUISITION else it goes in BEACON_STATE_GUARD. Then it performs a new Beacon Acquisition.

If the MAC layer does not find a beacon, the state machine stays in state BEACON_STATE_ACQUISITION. This state detects that an acquisition was pending previously and changes the next state to BEACON_STATE_LOST.

When the MAC layer receives a bad beacon format, it must go to BEACON_STATE_TIMEOUT. It enlarges window timeouts to increase the chance to receive the next beacon and goes in BEACON_STATE_REACQUISITION.

Figure 15. LoRa Class B system state behavior



4.7.1 LoRa End_Node initialization

Table 20. LoRa class A initialization function

Function	Description
void lora_Init (LoRaMainCallback_t *callbacks, LoRaParam_t* LoRaParamInit)	Initialization of the LoRa class A finite state machine

4.7.2 LoRa End_Node Join request entry point

Table 21. LoRa End_Node Join request entry point

Function	Description
void lora_Join (void)	Join request to a network either in OTAA mode or ABP mode (The Join mode should be defined at compile time).

4.7.3 LoRa End-Node start Tx

Table 22. LoRa End-Node start Tx

Function	Description
void loraStartTx (TxEventType_t EventType)	Start the OnTxTimerEvent occurrence if EventType param is equal to TX_ON_TIMER. User is free to implement its own code here.

4.7.4 Request End-Node Join Status

Table 23. End-Node Join Status

Function	Description
LoraFlagStatus LORA_JoinStatus (void)	Check the End-Node activation type (ACTIVATION_TYPE_NONE, ACTIVATION_TYPE_ABP, ACTIVATION_TYPE_OTAA).

4.7.5 Send an uplink frame

Table 24. Send an uplink frame

Function	Description
bool LORA_send (lora_AppData_t* AppData, LoraConfirm_t IsTxConfirmed)	Send an uplink frame. This frame can be either an unconfirmed empty frame, or an unconfirmed/confirmed payload frame.

4.7.6 Request the current network time

Table 25. Current network time

Function	Description
LoraErrorStatus LORA_DeviceTimeReq (void)	End-device requests from the network the current network time (useful to accelerate the beacon discovery in Class B mode) Note: To be used in place of BeaconTimeReq in LoRaWAN version >= 1.0.3

4.7.7 Request the next beacon timing

Table 26. Next beacon timing

Function	Description
LoraErrorStatus LORA_BeaconTimeReq (void)	End-device requests from the network the next beacon timing (useful to accelerate the beacon discovery in Class B mode) Note: command deprecated in the LoRaWAN V1.0.3

4.7.8 Switch Class Request

Table 27. Switch Class Request

Function	Description
LoraErrorStatus LORA_RequestClass (DeviceClass_t newClass)	Requests the End-device to switch from current to new Class (A, B or C).

4.7.9 Get End-device current class

Table 28. Get End-Device current Class

Function	Description
void LORA_GetCurrentClass (DeviceClass_t *currentClass)	Requests the current running Class (A, B or C).

4.7.10 Request Beacon Acquisition

Table 29. Request Beacon Acquisition

Function	Description
LoraErrorStatus LORA_BeaconReq (void)	Request the beacon slot acquisition.

4.7.11 Send unicast ping slot info periodicity

Table 30. Unicast ping slot periodicity

Function	Description
LoraErrorStatus LORA_PingSlotReq (void)	Transmit to the server the unicast ping slot info periodicity.

4.8 LIB End_Node application callbacks

4.8.1 Current battery level

Table 31 presents the current battery level function.

Table 31. Current battery level function

Function	Description
uint8_t HW_GetBatteryLevel (void)	Get the battery level.

4.8.2 Current temperature level

Table 32. Current Temperature function

Function	Description
uint16_t HW_GetTemperatureLevel (void)	Get the current temperature (degree Celsius) of the chipset in q7.8 format.

4.8.3 Board unique ID

Table 33 presents the board unique ID function.

Table 33. Board unique ID function

Function	Description
void HW_GetUniqueId (uint8_t *id)	Get a unique Identifier.

4.8.4 Board random seed

Table 34 presents the board random seed function.

Table 34. Board random seed function

Function	Description
uint32_t HW_GetRandomSeed (void)	Get a random seed value.

4.8.5 Make Rx frame

Table 35 presents the make Rx frame function.

Table 35. Make Rx frame

Function	Description
void LoraRxData (lora_AppData_t *AppData)	To process the incoming frame application. The user is free to implement his own code here.

4.8.6 Request Class mode switching

Table 36. LoRa has Joined function

Function	Description
void LORA_HasJoined (void)	Notifies the application that the end-node has joined.

4.8.7 End_Node Class mode change confirmation

Table 37. End_Node Class mode change confirmation function

Function	Description
void LORA_ConfirmClass (DeviceClass_t Class)	Notifies the application that the end-node has changed device class.

4.8.8 Send a dummy uplink frame

Table 38. Send a dummy uplink frame

Function	Description
void LORA_TxNeeded (void)	Requests application to send a frame.

5 Example description

5.1 Single MCU end-device hardware description

The Application layer, the Mac Layer and the PHY driver are implemented on one MCU. The End_Node application is implementing this hardware solution (see [Section 5.4](#))

The I-CUBE-LRWAN runs on several platforms such as:

- STM32 Nucleo platform stacked with a LoRa radio expansion board
- B-L072Z-LRWAN1 Discovery board (no LoRa expansion board required)

Optionally a ST X-NUCLEO-IKS01A1 sensor expansion board can be added on Nucleo and Discovery boards. The Nucleo-based supported hardware is presented in [Table 39](#).

Table 39. Nucleo-based supported hardware

LoRa radio expansion board / Nucleo board	SX1276MB1MAS	SX1276MB1LAS	SX1272MB2DAS
NUCLEO-L053R8	Supported	Supported	Supported
NUCLEO-L073RZ	Supported	Supported	Supported (P-NUCLEO-LRWAN1 ⁽¹⁾)
NUCLEO-L152RE	Supported	Supported	Supported
NUCLEO-L476RG	Supported	Supported	Supported

1. This particular configuration is commercially available as a kit P-NUCLEO-LRWAN1.

The I-CUBE-LRWAN Expansion Package can easily be tailored to any other supported device and development board.

The main characteristics of the LoRa radio expansion board are described in [Table 40](#).

Table 40. LoRa radio expansion boards characteristics

Board	Characteristics
SX1276MB1MAS	868 MHz (HF) at 14 dBm and 433 MHz (LF) at 14 dBm
SX1276MB1LAS	915 MHz (HF) at 20 dBm and 433 MHz (LF) at 14 dBm
SX1272MB2DAS	915 MHz and 868 MHz at 14 dBm
SX1261DVK1BAS	E406V03A sx1261, 14 dBm, 868 MHz, XTAL
SX1262DVK1CAS	E428V03A sx1262, 22 dBm, 915 MHz, XTAL
SX1262DVK1DAS	E449V01A sx1262, 22 dBm, 860-930 MHz, TCXO

The radio interface is described below:

- The radio registers are accessed through the SPI.
- The DIO mapping is radio dependent, see [Chapter 3.4.4](#).
- One GPIO from the MCU is used to reset the radio.
- One MCU pin is used to control the antenna switch to set it either in Rx mode or in Tx mode.

The hardware mapping is described in the hardware configuration files at Projects\<<platform>\Applications\LoRa\<<App_Type>\Core\inc.

The <platform> can be STM32L053R8-Nucleo, STM32L073RZ-Nucleo, STM32L152RE-Nucleo, STM32L476RG-Nucleo, B-L072Z-LRWAN1 (Murata modem device), the <Target> can be STML0xx and the <App_Type> can be either AT_Master, End_Node, PingPong, AT_Slave.

Interrupts

Table 41 shows the interrupt priorities level applicable for the Cortex system processor exception and for the STM32L0 Series LoRa application-specific interrupt (IRQ).

Table 41. STM32L0xx IRQ priorities

Interrupt name	Preempt priority	Sub-priority
RTC	0	NA
EXTI2_3	0	NA
EXTI4_15	0	NA

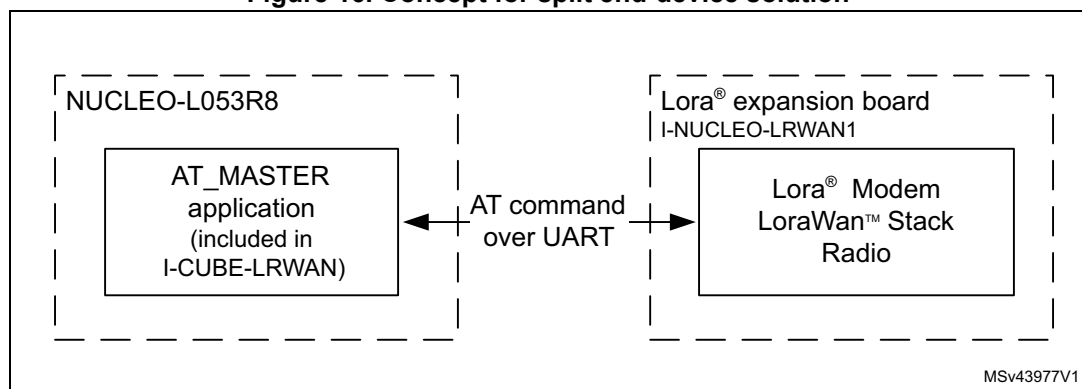
5.2 Split end-device hardware description (two-MCUs solution)

The Application layer, the Mac Layer, and the PHY driver are separated. The LoRa End_Node is composed of a LoRa modem and a host controller. The LoRa modem is running the Lora stack (Mac Layer and the Phy Layer) and is controlled by a Lora host implementing the application layer.

The AT_Master application implementing the Lora host on a NUCLEO board, is compatible with the AT_Slave application (see Section 5.6). The AT_Slave application demonstrates a modem on the CMWX1ZZABZ-091 LoRa module (Murata). The AT_Master application is also compatible with the I-NUCLEO-LRWAN1 expansion board featuring the WM-SG-SM-42 LPWAN module from USI **and with the LRWAN_NS1 expansion board featuring the RiSiNGHF® modem RHF0M003 available in P-NUCLEO-LRWAN3** (see Section 5.7).

This split solution allows to design the application layer without any constraint linked to the real time requirement of LoRaWAN stack.

Figure 16. Concept for split end-device solution

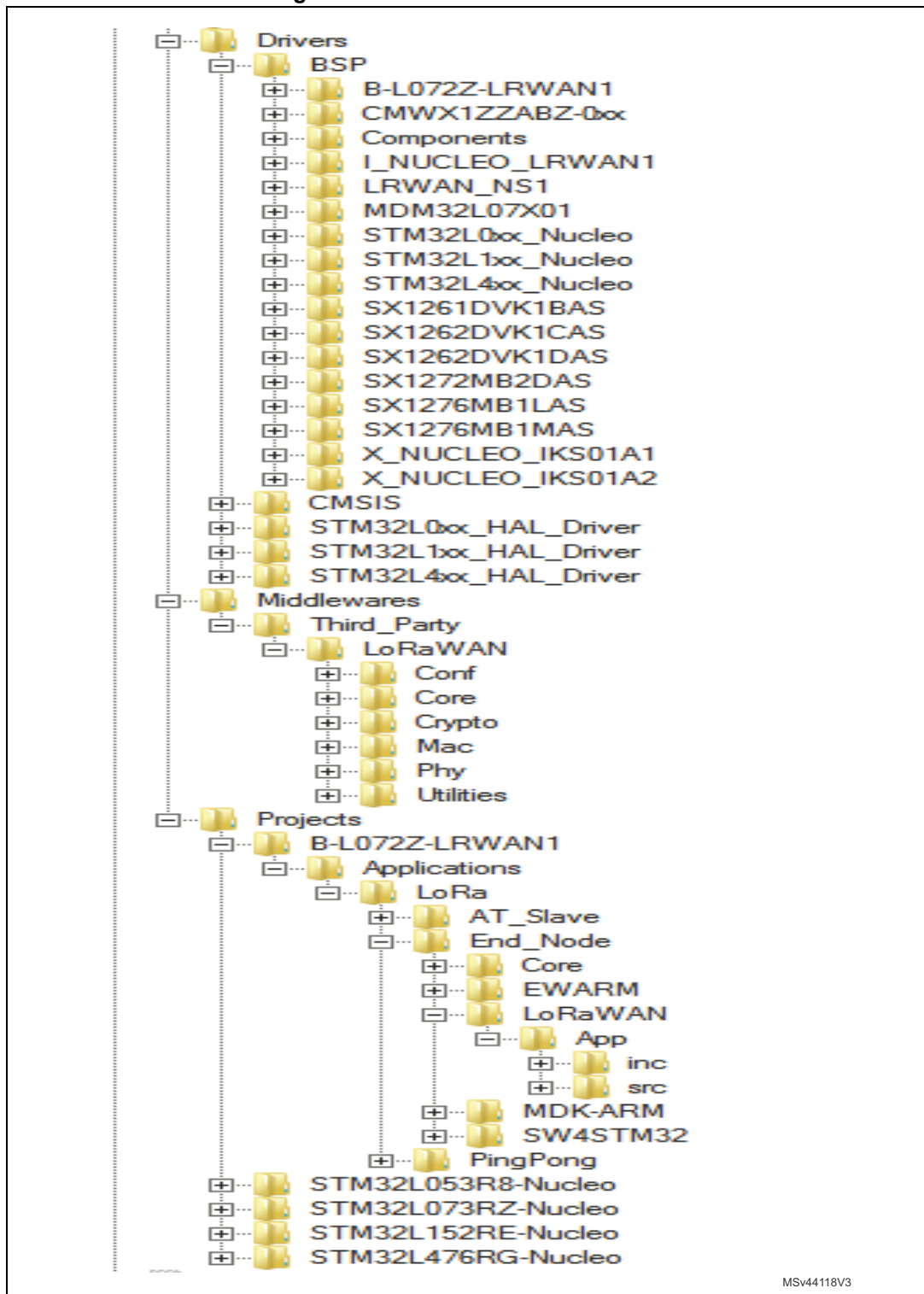


The interface between the LoRa modem and the LoRa host is a UART running AT commands.

5.3 Package description

When the user unzips the I-CUBE-LRWAN, the package presents the structure shown in [Figure 17](#).

Figure 17. I-CUBE-LRWAN structure



The I-CUBE-LRWAN package contains four applications: End_Node, PingPong, AT_Slave and AT_Master. For each application, three toolchains are available: MDK-ARM, IAR and SW4STM32.

5.4 End_Node application

This application reads the temperature, humidity and atmospheric pressure from the sensors through the I2C. The MCU measures the supplied voltage through V_{REFLNT} in order to calculate the battery level. These four data (temperature, humidity, atmospheric pressure and battery level) are sent periodically to the LoRa network using the LoRa radio in class A at 868 MHz.

In order to launch the LoRa End_Node project, the user should go to `\Projects\<target>\Applications\LoRa\End_Node` and choose his favorite toolchain folder (in the IDE environment). The user selects then the LoRa project from the proper target board.

5.4.1 Activation methods and keys

There are two ways to activate a device on the network, either by OTAA or by ABP.

The file

`\Projects\<target>\Applications\LoRa\End_Node\LoRaWAN\App\inc\Commissioning.h` gathers all the data related to the device activation. The chosen method, along with the commissioning data, are printed on the virtual port and visible on a terminal.

5.4.2 Debug switch

The user must go to `\Projects\Multi\Applications\LoRa\End_Node\inc\hw_conf.h` to enable the debug mode or/and the trace mode by commenting out

```
#define DEBUG
```

The debug mode enables the `DBG_GPIO_SET` and the `DBG_GPIO_RST` macros as well as the debugger mode even when the MCU goes in low-power.

For trace mode, three levels of trace are proposed, `VERBOSE_LEVEL_0` (traces are disabled), `VERBOSE_LEVEL_1` (enabled for functional traces) and `VERBOSE_LEVEL_2` (enabled for Debug traces).

The user must go to

`\Projects\<platform>\Applications\LoRa\<App>\LoRaWAN\App\inc\utilities_conf.h` to set the select trace level.

Note: In order to enable a true low-power, “`#define DEBUG`” mentioned above must be commented out.

5.4.3 Sensor switch

When no sensor expansion board is plugged on the set-up, the `#define SENSOR_ENBALED` must be commented out on the `\Projects\<target>\Applications\LoRa\End_Node\LoRaWAN\App\inc`.

[Table 42](#) provides a summary of the main options for the application configuration.

Table 42. Switch options for the application's configuration

Project	Switch option	Definition	Location
LoRa stack	OVER_THE_AIR_ACTIVATION	Application uses over-the- air activation procedure.	Commissioning.h
	STATIC_DEVICE_EUI	Static or dynamic end- device identification	Commissioning.h
	LORAMAC_CLASSB_ENABLED	Compiles the relevant code for Class B mode.	Compiler option setting
	USE_DEVICE_TIMING	Includes either "LORA_DeviceTimeReq ()" or "LORA_BeaconTimeReq (void)	lora.c
	STATIC_DEVICE_ADDRESS	Static or dynamic end- device address	Commissioning.h
	REGION_EU868	Enable the band selection	Compiler option setting
	REGION_EU433		
	REGION_US915		
	REGION_AS923		
	REGION_AU915		
	REGION_CN470		
	REGION_CN779		
REGION_IN865			
REGION_RU864			
REGION_KR920			
Sensor	DEBUG	Enable 'Led on/off'	hw_conf.h
	VERBOSE_LEVEL	Enable the trace level	utilities_conf.h
	SENSOR_ENABLED	Enable the call to the sensor board	hw_conf.h

Note: The maximum payload length allowed depends on both the region and the selected data rate, so the payload format must be carefully designed according to these parameters.

5.5 PingPong application description

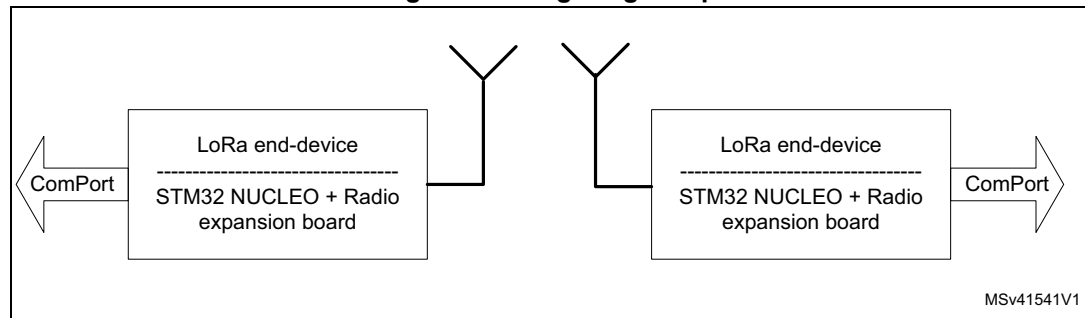
This application is a simple Rx/Tx RF link between two LoRa end-devices. By default, each LoRa end-device starts as a master and transmits a 'Ping' message and wait for an answer. The first LoRa end-device receiving a 'Ping' message becomes a slave and answers the master with a 'Pong' message. The PingPong is then started.

In order to launch the PingPong project, the user must go to the \Projects\<platform>\Applications\LoRa\PingPong folder and follow the same procedure as for the LoRa End_Node project to launch the preferred toolchain.

Hardware and software set-up environment

To setup the STM32Lxxx-NUCLEO, connect the NUCLEO (or the B-L072Z-LRWAN1) board to the computer with a USB cable type A to mini B to the ST-LINK connector (CN1). Ensure that the CN2 ST-LINK connector jumpers are fitted. See [Figure 18](#) for a representation of the PingPong setup.

Figure 18. PingPong setup



5.6 AT_Slave application description

The purpose of this example is to implement a LoRa modem controlled through AT command interface over UART by an external host.

The external host can be a host-microcontroller embedding the application and the AT driver or simply a computer executing a terminal.

This application is targeting the B-L072Z-LRWAN1 Discovery board embedding the CMWX1ZZABZ-091 LoRa module. This application uses the Cube Low Layer drivers APIs targeting the STM32L072CZ to optimize the code size.

The AT_Slave example implements the Lora stack driving the built-in LoRa radio. The stack is controlled through AT command interface over UART. The modem is always in Stop mode unless it processes an AT command from the external host.

In order to launch the AT_Slave project, the user must go to the `Projects\B-L072Z-LRWAN1\Applications\LoRa\AT_Slave` folder and follow the same procedure as for the LoRa End_Node project to launch the preferred toolchain.

For more details, refer to the application note AN4967 which gives the list of AT commands and their description.

5.7 AT_Master application description

The purpose of this application is to read sensor data and to send them to a Lora Network through an external Lora Modem. The AT_Master application implements a complete set of AT commands to drive the LoRa stack which is embedded in the external LoRa modem.

External LoRa modem is targeting either the B-L072Z-LRWAN1 Discovery board or the I-NUCLEO-LRWAN1 board (based on the WM-SG-SM-42 USI module) or the LRWAN-NS1 expansion board featuring the RiSiNGHF[®] modem available in P-NUCLEO-LRWAN3.

This application uses the STM32Cube™ HAL drivers APIs targeting the STM32L0 Series.

For more details, refer to the application note AN4967 which gives the list of AT commands and their description.

BSP programming guidelines

Table 43 gives a description of the BSP (board support package) driver APIs to interface with the external LoRa module.

Table 43. BSP programming guidelines

Function	Description
ATError_t Modem_IO_Init (void)	Modem initialization
void Modem_IO_DeInit (void)	Modem deinitialization
ATError_t Modem_AT_Cmd (ATGroup_t, at_group, ATCmd_t Cmd, void *pdata)	Modem IO commands

Note: The NUCLEO board communicates with expansion board via UART (PA2,PA3). The following modifications must be applied: (cf. chapter 5.8 of UM1724).

- SB62 and SB63 should be closed
- SB13 and SB14 should be opened to disconnect STM32 UART from STLINK

6 System performances

6.1 Memory footprints

The values in [Table 44](#) have been measured for the following configuration of the Keil compiler (ARM compiler 5.05):

- Optimization: optimized for size level 3
- Debug option: off
- Trace option: off
- Target: P-NUCLEO-LRWAN1 (STM32L073+ SX1272MB2DAS)

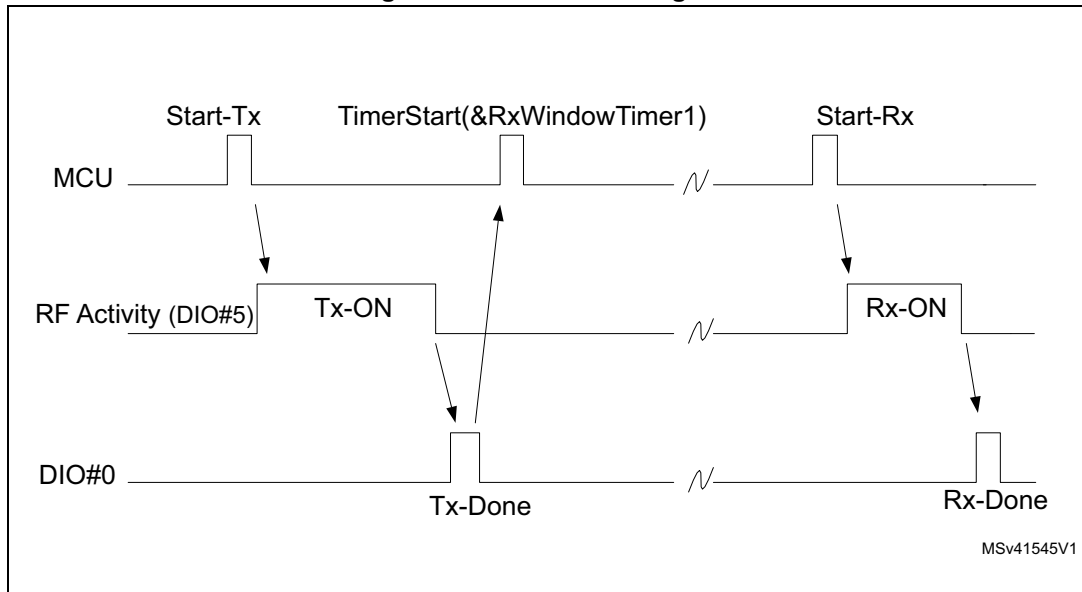
Table 44. Memory footprint values for End_Node application

Project	Flash (bytes)	RAM (bytes)	Description
Application layer	4336	456	Includes all microlib.
LoRa stack	29926	3486	Includes MAC + RF driver.
Hardware abstraction level	10362	1536	-
Utilities	2474	464	Includes services like system, timeserver, vcom and queue.
Total application	52468	6362	Memory footprint for the overall application

6.2 Real-time constraints

The LoRa RF asynchronous protocol implies to follow a strict TX/Rx timing recommendation (see [Figure 19](#) for a Tx/Rx diagram example). The SX1276MB1MAS expansion board has been optimized for user-transparent low-lock time and fast auto-calibrating operation. The LoRa Expansion Package design integrates the transmitter startup time and the receiver startup time constraints.

Figure 19. Rx/Tx time diagram



Rx window channel start

The Rx window opens the RECEIVE_DELAY1 for 1second (+/- 20 microseconds) or the JOIN_ACCEPT_DELAY1 for 5 seconds (+/- 20 microseconds) after the end of the uplink modulation.

The current scheduling interrupt-level priority must be respected. In other words, all the new user-interrupts must have an interrupt priority > DIO#n interrupt (see [Table 41](#)) in order to avoid stalling the received startup time.

6.3 Power consumption

The power-consumption measurement has been established for the Nucleo boards associated to the SX1276MB1MAS shield.

Measurements setup:

- No DEBUG
- No TRACE
- No SENSOR_ENABLED

Measurements results:

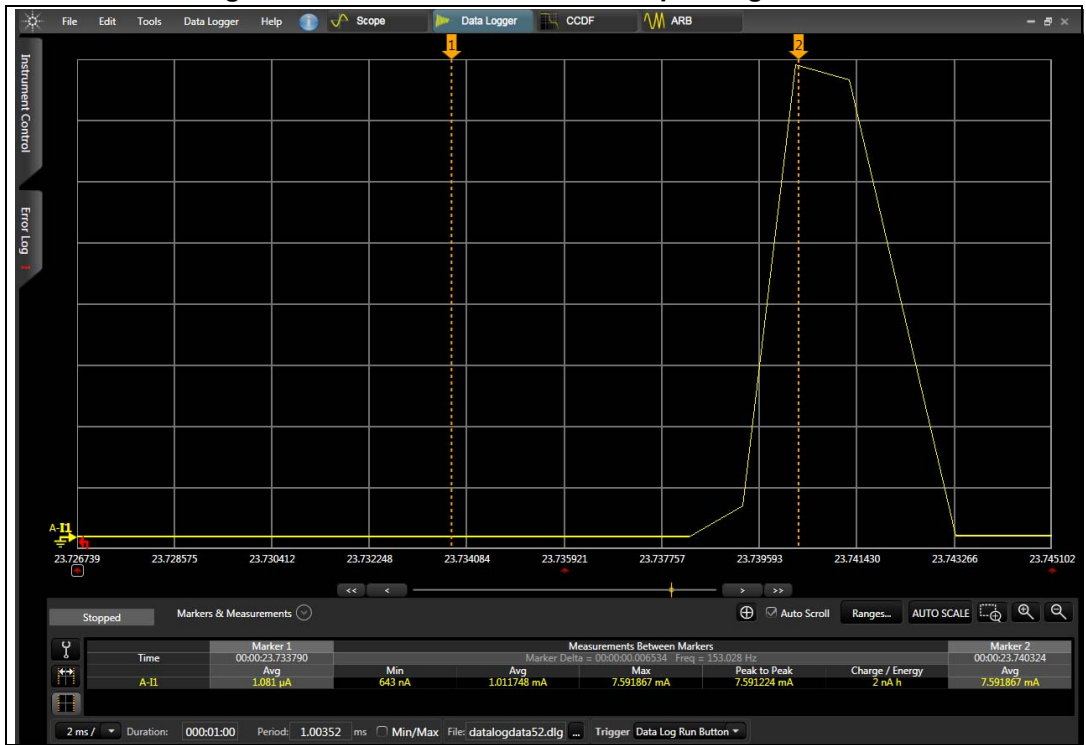
- Typical consumption in stop mode: 1.3 μ A
- Typical consumption in run mode: 8.0 mA

Measurements figures:

- Instantaneous consumption over 30 seconds

The [Figure 20](#) shows an example of the current consumption against time on a microcontroller of the STM32L0 Series.

Figure 20. STM32L0 current consumption against time



7 Revision history

Table 45. Document revision history

Date	Revision	Changes
27-Jun-2016	1	Initial release.
10-Nov-2016	2	Updated: <ul style="list-style-type: none"> – Introduction – Section 2.1: Overview – Section 3.2: Features – Section 5: Example description – Section 6: System performances
4-Jan-2017	3	Updated: <ul style="list-style-type: none"> – Introduction with reference to the CMWX1ZZABZ-xxx LoRa module (Murata). – Section 5.1: Hardware description: 3rd hardware configuration file added. – Section 5.2: Package description: AT_Slave application added. Added: <ul style="list-style-type: none"> – Section 5.5: AT_Slave application description
21-Feb-2017	4	Updated: <ul style="list-style-type: none"> – Introduction with I-NUCLEO-LRWAN1 LoRa expansion board. – Figure 10: Project files structure – Section 5.1: Single MCU end-device hardware description – Figure 15: I-CUBE-LRWAN structure – Section 5.4: End_Node application – Section Table 27.: Switch options for the application's configuration – Section 5.5: PingPong application description – Section 5.6: AT_Slave application description – Table 29: Memory footprint values for End_Node application Added: <ul style="list-style-type: none"> – Section 5.2: Split end-device hardware description (two-MCUs solution) – Section 5.7: AT_Master application description.
18-Jul-2017	5	Added: <ul style="list-style-type: none"> – Note to Section 5.4: End_Node application on maximum payload length allowed – Note to Section 5.7: AT_Master application description on the NUCLEO board communication with expansion board via UART

Table 45. Document revision history (continued)

Date	Revision	Changes
14-Dec-2017	6	Added: – New modem reference: expansion board featuring the RiSiNGHF [®] modem RHF0M003 Updated: – New architecture design (LoRa FSM removed) – Figure 10: Project files structure – Figure 13: Operation model
4-Jul-2018	7	Added: – New expansion boards – introduction of LoRaWAN Class B mode Updated: – Figure 10 to Figure 17, Table 4, Table 10 to Table 45
13-Dec-2018	8	Removed: – Class B restriction regarding AT commands in Section 5.6: AT_Slave application description

IMPORTANT NOTICE – PLEASE READ CAREFULLY

STMicroelectronics NV and its subsidiaries ("ST") reserve the right to make changes, corrections, enhancements, modifications, and improvements to ST products and/or to this document at any time without notice. Purchasers should obtain the latest relevant information on ST products before placing orders. ST products are sold pursuant to ST's terms and conditions of sale in place at the time of order acknowledgement.

Purchasers are solely responsible for the choice, selection, and use of ST products and ST assumes no liability for application assistance or the design of Purchasers' products.

No license, express or implied, to any intellectual property right is granted by ST herein.

Resale of ST products with provisions different from the information set forth herein shall void any warranty granted by ST for such product.

ST and the ST logo are trademarks of ST. All other product or service names are the property of their respective owners.

Information in this document supersedes and replaces information previously supplied in any prior versions of this document.

© 2018 STMicroelectronics – All rights reserved