



**Model Name** **DX808ST Digital Projector**

**Unique selling point** **Trade Mark**

- \* SmartEco Power Saving Technology
- \* 0.61 Short Throw Ratio
- \* Designed for Education & IWB
- \* Blu-ray Full HD 3D support
- \* PointWrite Interactive Solution Compatible



<b>Projection System</b>	DLP	
<b>Native Resolution</b>	XGA(1024X768)	
<b>Brightness</b>	3000AL	
<b>Contrast Ratio</b>	20000:1	
<b>Display Color</b>	1.07 Billion Colors	
<b>Lens</b>	F=2.6 f=6.9mm	
<b>Aspect Ratio</b>	Native 4:3 (5 aspect ratio selectable)	
<b>Throw Ratio</b>	0.61	
<b>Clear Image Size / Maximum Image Size</b>	60"-120" / 120"	
<b>Zoom Ratio</b>	Fixed	
<b>Lamp Type</b>	200W	
<b>Lamp Mode (Normal/Economic/SmartEco/LampSave)</b>	5000/10000/10000/15000 hours	
<b>Keystone Adjustment</b>	1D, Vertical +/- 30 degrees	
<b>Projection Offset</b>	115%±2.5% (Full-Height)	
<b>Resolution Support</b>	VGA(640 x 480) to WUXGA_RB(1920 x 1200) *RB-Reduced Blanking	
<b>Horizontal Frequency</b>	15K~102KHz	
<b>Vertical Scan Rate</b>	23~120Hz	
<b>Compatibility</b>	HDTV Compatibility	480i, 480p, 576i, 567p, 720p, 1080i, 1080p
	3D Compatibility (Please refer to User's Manual for detailed support timing.)	Frame Sequential: Up to 720p Frame Packing: Up to 24 Hz 1080p Side by Side Half: Up to 60Hz 1080p Top Bottom: Up to 60Hz 1080p

<b>Interface</b>	Computer in (D-sub 15pin)	x 2(Share with component)
	Monitor out (D-sub 15pin)	x 1
	Composite Video in (RCA)	NA
	S-Video in (Mini DIN 4pin)	NA
	HDMI	x 1
	Audio in (Mini Jack)	NA
	Audio out (Mini Jack)	NA
	Audio L/R in (RCA)	NA
	Speaker	NA
	USB (Type A)	x1 (power only 5V/1.5A)
	USB (Type Mini B)	x1 (Download & page/down)
	RS232 (DB-9pin)	x 1
	LAN (RJ45)	NA

<b>Dimensions</b>	Dimensions(W x H x D)	320 (W)*239(D)*120(H) mm
	Weight	2.7 Kg (5.95 lbs)

<b>Power</b>	Power Supply	AC 100 to 240 V, 50/60 Hz
	Power Consumption	280W(typical), Standby<0.5W

<b>Audible Noise</b>	36/32 dBA (Normal/Economic mode)
----------------------	----------------------------------

<b>On-Screen Display Languages</b>	Arabic/ Bulgarian/ Croatian/ Czech/ Danish/ Dutch/ English/ Finnish/ French/ German/ Greek/ Hindi/ Hungarian/ Italian/ Indonesian/ Japanese/ Korean/ Norwegian /Persian/ Polish/ Portuguese/ Romanian/ Russian/ Simplified Chinese/ Spanish/ Swedish/ Turkish/ Thai/ Traditional Chinese/ Vietnam (30 languages)
------------------------------------	--

<b>Picture Modes</b>	Bright / Presentation / sRGB / Cinema / (3D) / User 1 / User 2
----------------------	--

<b>Accessories</b>	<b>Standard</b>	<b>Optional</b>
	Remote Control w/ Battery RCE013	PointWrite PW02
	Power Cord (by region)	FingerTouch PT12
	User Manual CD	Spare Lamp Kit 5JJP05.001
	Quick Start Guide	Wall Mount WM06G3
	Warranty Card (by region)	
	Dust Filter	

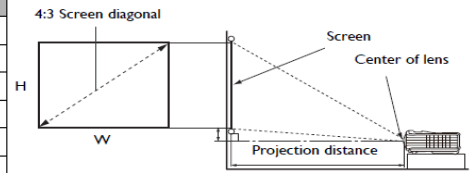
\*Lamp life results will vary depending on environmental conditions and usage. Actual product's features and specifications are subject to change without notice.

# DX808ST Digital Projector

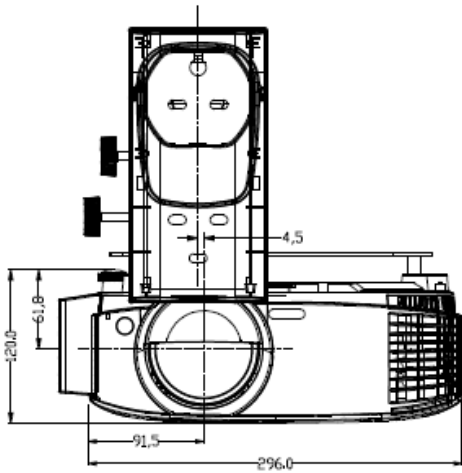
## Distance Chart

• The screen aspect ratio is 4:3 and the projected picture is in a 4:3 aspect ratio

Screen size		H (mm)	W (mm)	Distance from screen (mm)	Offset (mm)
Inch	mm				
60	1524	914	1219	738	137
70	1778	1067	1422	862	160
80	2032	1219	1626	985	183
90	2286	1372	1829	1108	206
100	2540	1524	2032	1231	229
110	2794	1676	2235	1354	251
120	3048	1829	2438	1477	274



## Wall Mount Installation Chart



## Dimension

