



Model Name **MS506 Digital Projector**

Unique selling point **Trade Mark**

- * SmartEco Power Saving technology
- * Up to 10000 hours Long lamp life
- * <0.5W standby mode
- * New 3D format for entertainment



| | |
|--|--|
| Projection System | DLP |
| Native Resolution | SVGA(800 x 600) |
| Brightness | 3200AL |
| Contrast Ratio | 13000:1 |
| Display Color | 1.07 Billion Colors |
| Lens | F=2.56-2.8, f=21-23.1mm |
| Aspect Ratio | Native 4:3 (5 aspect ratio selectable) |
| Throw Ratio | 1.86-2.04 (53"@2m) |
| Image Size (Clear Focus/ Maximum) | 60"-120"/ 300" |
| Zoom Ratio | 1.1:1 |
| Lamp Type | 190W |
| Lamp(Normal/Economic/SmartEco/ LampSaveMode)* | 4000/6000/6500/10000 hours |
| Keystone Adjustment | ID, Vertical +/- 40 degrees |
| Projection Offset | 120% ±5% |
| Resolution Support | VGA(640 x 480) to UXGA(1600 x 1200) |
| Horizontal Frequency | 15~102KHz |
| Vertical Scan Rate | 23~120Hz |

| | | |
|----------------------|--|---|
| Compatibility | HDTV Compatibility | 480i, 480p, 576i, 576p, 720p, 1080i, 1080p |
| | Video Compatibility | NTSC, PAL, SECAM |
| | 3D Compatibility (Please refer to User's Manual for detailed support timing.) | Frame Sequential: Up to 720p 60Hz (Video), Up to WXGA 120Hz (PC Timing) Side by Side: Up to 1680 x 1050 60Hz (PC Timing) Top Bottom: Up to 1680 x 1050 60Hz (PC Timing) |

| | | |
|------------------|----------------------------|---------------------------|
| Interface | Computer in (D-sub 15pin) | x 2(Share with component) |
| | Monitor out (D-sub 15pin) | x 1 |
| | Composite Video in (RCA) | x 1 |
| | S-Video in (Mini DIN 4pin) | x 1 |
| | Audio in (Mini Jack) | x 1 |
| | Audio out (Mini Jack) | x 1 |
| | Speaker | 2W x 1 |
| | USB (Type Mini B) | x1 (Download & page/down) |
| | RS232 (DB-9pin) | x 1 |
| | IR Receiver | x1 (Front) |

| | | |
|-------------------|-----------------------|---|
| Dimensions | Dimensions(W x H x D) | 283 x 95 x 222 mm (include feet) 283 x 88.7 x 222 (exclude feet) |
| | Weight | 1.8kg (3.96lbs) |

| | | |
|--------------|-------------------|--|
| Power | Power Supply | AC100 to 240 V, 50 to 60 Hz |
| | Power Consumption | 270W(Normal), 220W (Eco) Standby<0.5W |

| | |
|----------------------|----------------------------------|
| Audible Noise | 33/28 dBA (Normal/Economic mode) |
|----------------------|----------------------------------|

| | |
|------------------------------------|--|
| On-Screen Display Languages | Arabic/Bulgarian/ Croatian/ Czech/ Danish/ Dutch/ English/ Finnish/ French/ German/ Greek/ Hindi/ Hungarian/ Italian/ Indonesian/ Japanese/ Korean/ Norwegian/ Polish/ Portuguese/ Romanian/ Russian/ Simplified Chinese/Spanish/ Swedish/ Turkish/ Thai/ Traditional Chinese (28 Languages) |
|------------------------------------|--|

| | |
|----------------------|--|
| Picture Modes | Dynamic/Presentation/sRGB/Cinema/User 1/User 2 |
|----------------------|--|

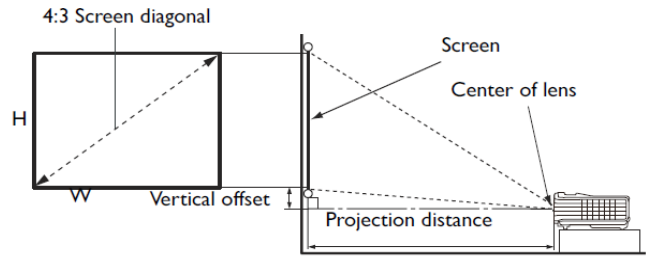
| Accessories | Standard | Optional |
|--------------------|---------------------------|-----------------|
| | Remote Control w/ Battery | Spare Lamp Kit |
| | Power Cord (by region) | Ceiling Mount |
| | Quick Start Guide | 3D Glasses |
| | Warranty Card (by region) | Carry bag |
| | VGA(D-sub 15pin) Cable | |

*Lamp life results will vary depending on environmental conditions and usage. Actual product's features and specifications are subject to change without notice.

MS506 Digital Projector

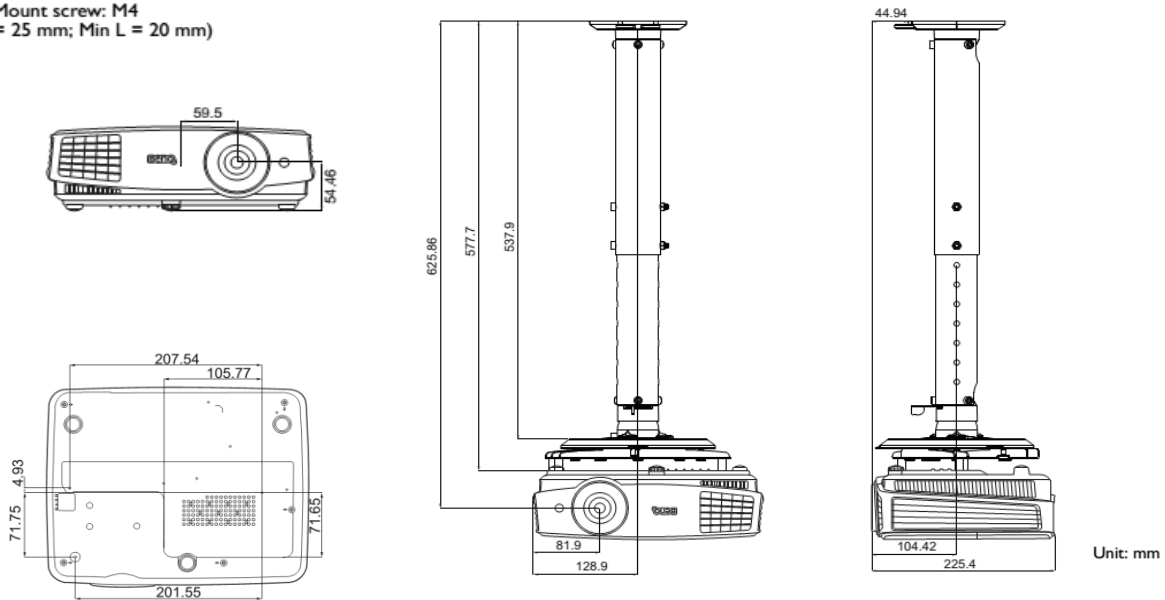
Distance Chart

| Screen size | | | | Distance from screen (mm) | | | Vertical offset (mm) |
|-------------|------|--------|--------|---------------------------|---------|------------------------|----------------------|
| Diagonal | | W (mm) | H (mm) | Min length (max. zoom) | Average | Max length (min. zoom) | |
| Inch | mm | | | | | | |
| 60 | 1524 | 1219 | 914 | 2385 | 2504 | 2623 | 91 |
| 70 | 1778 | 1422 | 1067 | 2782 | 2921 | 3060 | 107 |
| 80 | 2032 | 1626 | 1219 | 3179 | 3338 | 3497 | 122 |
| 90 | 2286 | 1829 | 1372 | 3577 | 3756 | 3935 | 137 |
| 100 | 2540 | 2032 | 1524 | 3974 | 4173 | 4372 | 152 |
| 120 | 3048 | 2438 | 1829 | 4769 | 5008 | 5246 | 183 |
| 140 | 3556 | 2845 | 2134 | 5564 | 5842 | 6121 | 213 |
| 150 | 3810 | 3048 | 2286 | 5962 | 6260 | 6558 | 229 |
| 160 | 4064 | 3251 | 2438 | 6359 | 6677 | 6995 | 244 |
| 180 | 4572 | 3658 | 2743 | 7154 | 7512 | 7869 | 274 |
| 200 | 5080 | 4064 | 3048 | 7949 | 8346 | 8744 | 305 |
| 220 | 5588 | 4470 | 3353 | 8744 | 9181 | 9618 | 335 |
| 240 | 6096 | 4877 | 3658 | 9538 | 10015 | 10492 | 366 |
| 260 | 6604 | 5283 | 3962 | 10333 | 10850 | 11367 | 396 |
| 280 | 7112 | 5690 | 4267 | 11128 | 11685 | 12241 | 427 |
| 300 | 7620 | 6096 | 4572 | 11923 | 12519 | 13115 | 457 |



Wall mount/Ceiling mount Chart

Ceiling Mount screw: M4
(Max L = 25 mm; Min L = 20 mm)



Dimension



Unit: mm